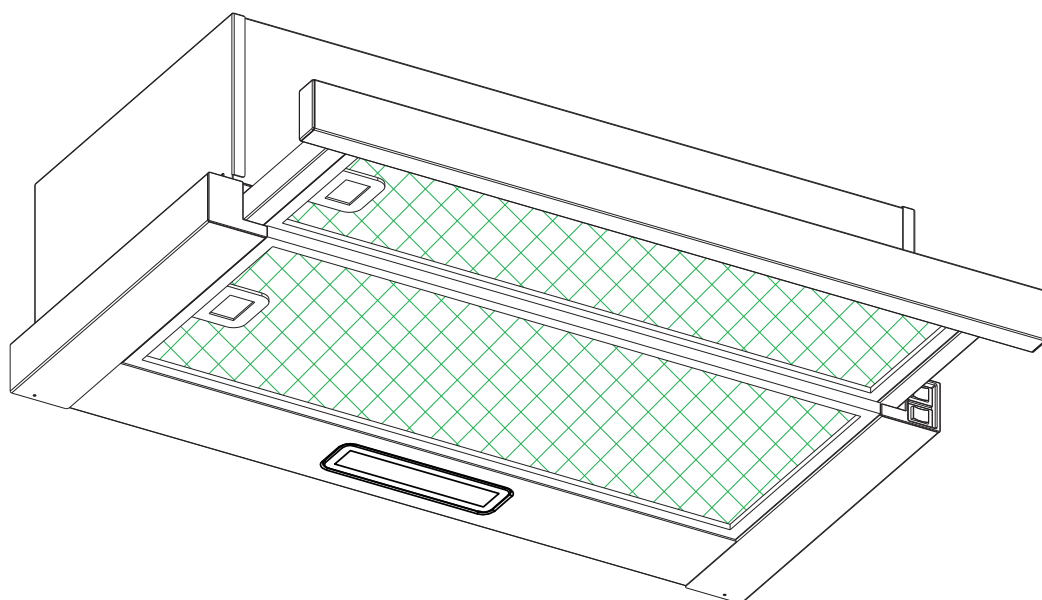


C6 T6&) /2L/1# I

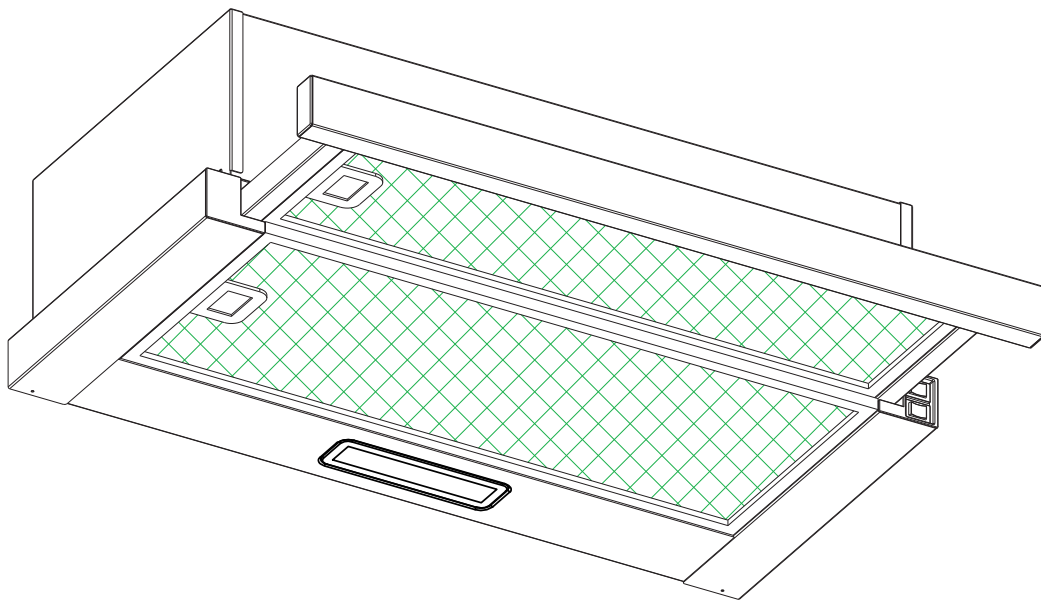
Cooker Hood

Instruction Manual



ENGLISH(EN)-----	page 001
FRENCH (FR)-----	page 013
ESPAÑOL(ES)-----	page 026
PORTUGUESE (PT) -----	page 040

Cooker Hood Instruction Manual



Content

1.....	Safety instructions
2.....	Installation
3.....	Start using your cooker hood
4.....	Troubleshooting
5.....	Maintenance and cleaning
6.....	Environment protection

SAFETY INSTRUCTIONS

This manual explains the proper installation and use of your cooker hood, please read it carefully before using even if you are familiar with the product. The manual should be kept in a safe place for future reference.

Never to do:

- Do not try to use the cooker hood without the grease filters or if the filters are excessively greasy!
- Do not install above a cooker with a high level grill.
- Do not leave frying pans unattended during use because overheated fats or oils might catch fire.
- Never leave naked flames under the cooker hood.



- If the cooker hood is damaged, do not attempt to use.
- Do not flambé under the cooker hood.
- CAUTION: Accessible parts may become hot when used with cooking appliances.
- The minimum distance between the supporting surface for the cooking vessels on the hob and the lowest part of the cooker hood. (When the cooker hood is located above a gas appliance, this distance shall be at least 65 cm)
- The air must not be discharged into a flue that is used for exhausting fumes from appliances burning gas or other fuels.



Always to do:

- Important! Always switch off the electricity supply at the mains during installation and maintenance such as light bulb replacement.
- The cooker hood must be installed in accordance with the installation instructions and all measurements followed.
- All installation work must be carried out by a competent person or qualified electrician.
- Please dispose of the packing material carefully. Children are vulnerable to it.
- Pay attention to the sharp edges inside the cooker hood especially during installation and cleaning.
- When the cooker hood is located above a gas appliance, the minimum distance between the supporting surface for the cooking vessels on the hob and the lowest part of the cooker hood that distance must be:
Gas cookers: 75 cm
Electric cookers: 65 cm
Coal or oil cookers: 75 cm
- Make sure the ducting has no bends sharper than 90 degrees as this will reduce the efficiency of the cooker hood.
- Warning: Failure to install the screws or fixing device in accordance with these instructions may result in electrical hazards

Always to do:

- Always put lids on pots and pans when cooking on a gas cooker.
- When in extraction mode, air in the room is being removed by the cooker hood. Please make sure that proper ventilation measures are being observed. The cooker hood removes odours from room but not steam.
- Cooker hood is for domestic use only.



- If the supply cord is damaged, it must be replaced by the manufacturer, its service agent or similarly qualified persons in order to avoid a hazard.
- This appliance can be used by children aged from 8 years and above and persons with reduced physical, sensory or mental capabilities or lack of experience and knowledge if they have been given supervision or instruction concerning use of the appliance in a safe way and understand the hazards involved. Children shall not play with the appliance. Cleaning and user maintenance shall not be made by children without supervision.



- **Warning:** Before obtaining access to terminals, all supply circuits must be disconnected.

Always to do:

- **Caution:** The appliance and its accessible parts can become hot during operation. Be careful to avoid touching the heating elements. Children younger than 8 years old should stay away unless they are under permanent supervision.
- There shall be adequate ventilation of the room when the cooker hood is used at the same time as appliances burning gas or other fuels.
- There is a fire risk if cleaning is not carried out in accordance with the instructions
- Regulations concerning the discharge of air have to be fulfilled.
- Clean your appliance periodically by following the method given in the chapter MAINTENANCE.
- For safety reason, please use only the same size of fixing or mounting screw which are recommended in this instruction manual.
- Regarding the details about the method and frequency of cleaning, please refer to maintenance and cleaning section in the instruction manual.
- Cleaning and user maintenance shall not be made by children without supervision.
- When the cooker hood and appliances supplied with energy other than electricity are simultaneously in operation, the negative pressure in the room must not exceed 4 Pa (4 x 10⁻⁵ bar).
- **WARNING:** Danger of fire: do not store items on the cooking surfaces.
- A steam cleaner is not to be used.
- **NEVER** try to extinguish a fire with water, but switch off the appliance and then cover flame e.g. with a lid or a fire blanket.

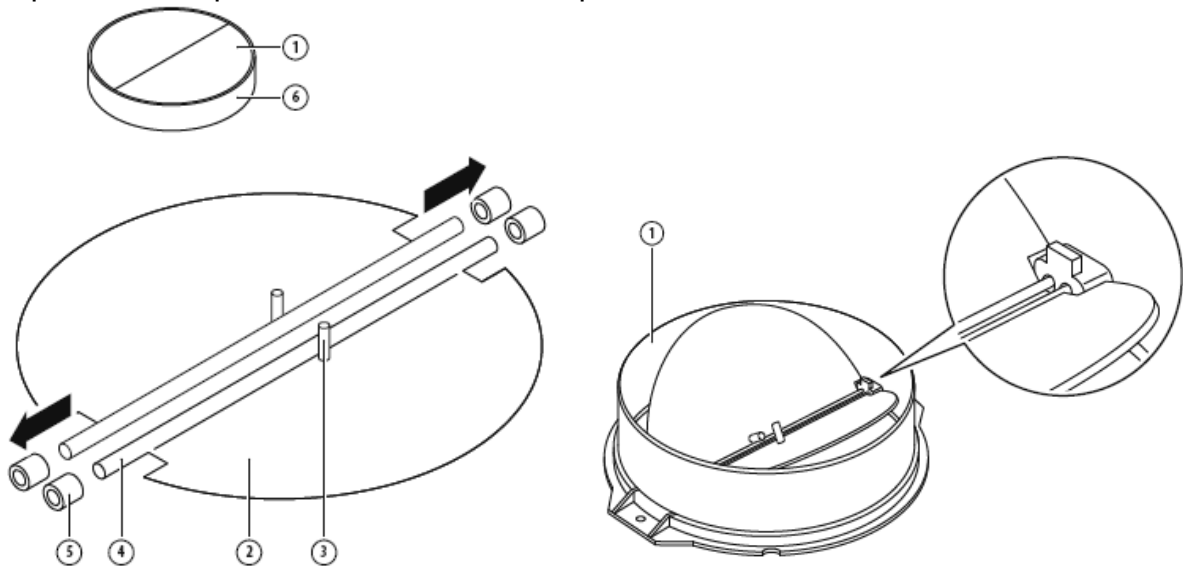
INSTALLATION (VENT OUTSIDE)

MOUNTING OF THE V-FLAP

If the cooker hood does not have an assembled V-flap 1, you should mount the half-parts to its body. The images only show an example of how to mount the V-flap, the outlet may be various according to different models and configuration.

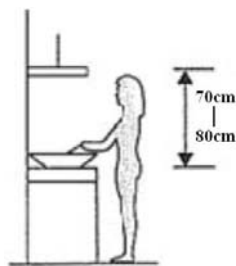
To mount the V-flap 1 you should:

- Mount two half-parts 2 into the body 6
- a pin 3 should be top oriented;
- the axis 4 should be inserted in the holes 5 on body;
- repeat all the operations for the 2nd half-part

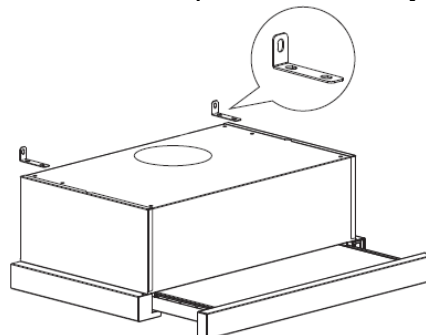


INSTALLATION (Wall Mounting)

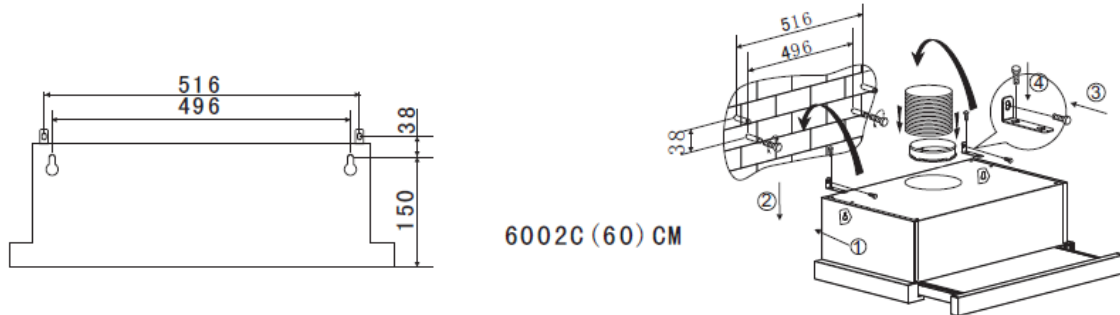
1. Decide the location of the holes for fixing the cooker hood.



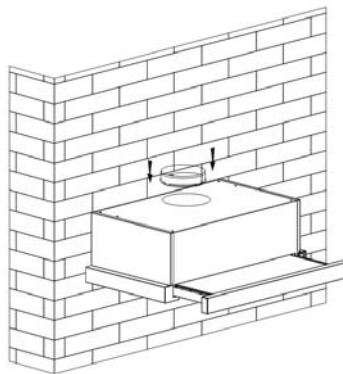
2. Install the L-shaped bracket on the top of the hood by two screws (4mm x 10mm)



- The cooker hood is wall mounted by 4 screws (4mm x 30mm) and wall plugs. Mount the cooker hood on the wall on the back of the cooker hood by 2 screws (4mm x 30mm) and wall plugs. Then fix the cooker hood on the wall by 2 screws (4mm x 30mm) and wall plugs through the small L-shaped bracket.

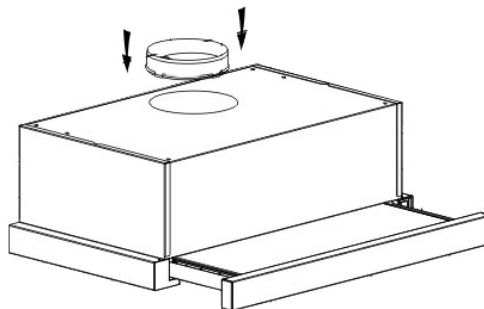


- Fix the one-way-valve to the air outlet of the cooker hood.

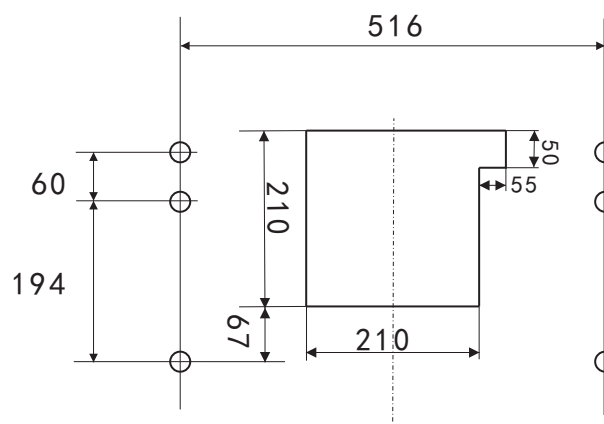


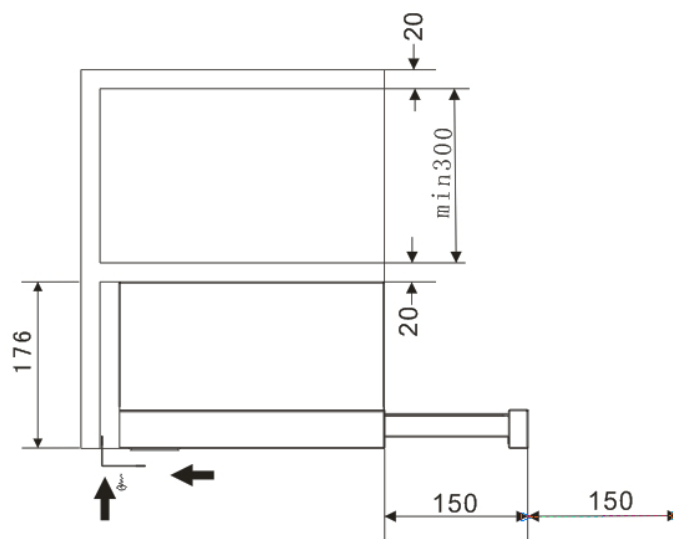
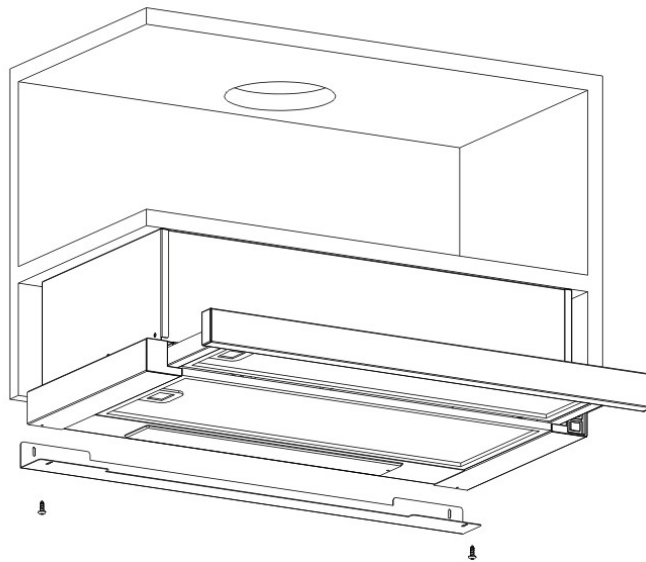
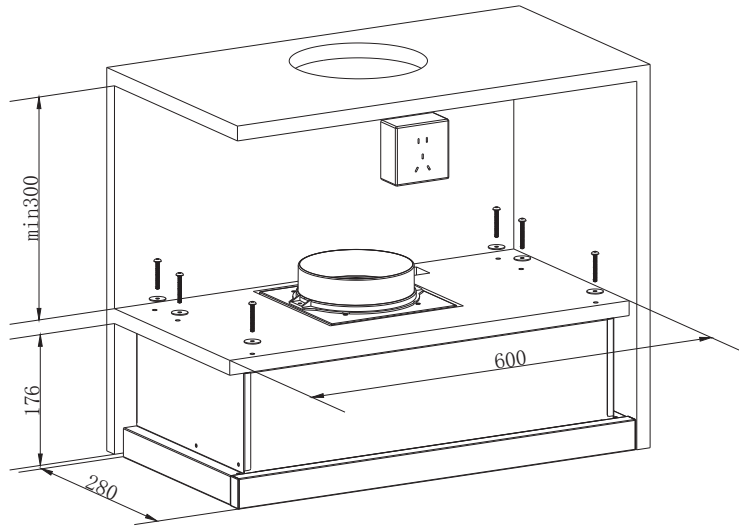
INSTALLATION (Cabinet Mounting)

- Fix the one-way-valve to the air outlet of the cooker hood.



- Mount the cooker hood on the cabinet by 6 screws (4x35mm) and flat washers.





4. The power will be connected when pull out the front panel. Conversely, the power will be automatically disconnected.

TROUBLESHOOTING

Fault	Possible Cause	Solution
Light on, but motor does not work	Fan switch turned off	Select a fan switch position.
	Fan switch failed	Contact service center.
	Motor failed	Contact service center.
Light does not work, motor does not work	House fuses blown	Reset/Replace fuses.
	Power cord loose or disconnected	Refit cord to power outlet. Switch power outlet on.
Oil leakage	One way valve and the outlet are not tightly sealed	Take down the one way valve and seal with sealant.
	Leakage from the connection of chimney and cover	Take chimney down and seal.
Lights not working	Broken/Faulty globes	Replace globes as per this instruction.
Insufficient suction	The distance between the cooker hood and the gas top is too far	Refit the cooker hood to the correct distance.
The Cooker hood inclines	The fixing screw not tight enough	Tighten the hanging screw and make it horizontal.

NOTE:

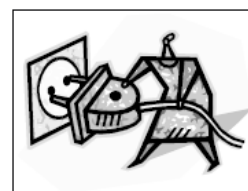


Any electrical repairs to this appliance must conform to your local, state and federal laws. Please contact the service centre if in any doubt before undertaking any of the above. Always disconnect the unit from the power source when opening the unit.

MAINTENANCE AND CLEANING

Caution:

- Before maintenance or cleaning is carried out, the cooker hood should be disconnected from the main power supply. Ensure that the cooker hood is switched off at the wall socket and the plug removed.



- External surfaces are susceptible to scratches and abrasions, so please follow the cleaning instructions to ensure the best possible result is achieved without damage.

GENERAL

Cleaning and maintenance should be carried out with the appliance cold especially when cleaning. Avoid leaving alkaline or acid substances (lemon juice, vinegar etc.) on the surfaces.

STAINLESS STEEL

The stainless steel must be cleaned regularly (e.g. weekly) to ensure long life expectancy. Dry with a clean soft cloth. A specialized stainless steel cleaning fluid may be used.

NOTE:

Ensure that wiping is done along with the grain of the stainless steel to prevent any unsightly crisscross scratching patterns from appearing.

CONTROL PANEL SURFACE

The inlay control panel can be cleaned using warm soapy water. Ensure the cloth is clean and well wrung before cleaning. Use a dry soft cloth to remove any excess moisture left after cleaning.

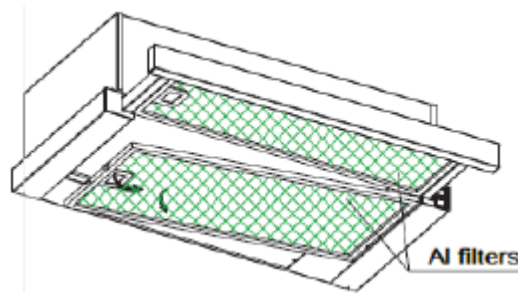
Important

Using neutral detergents and avoid using harsh cleaning chemicals, strong household detergents or products containing abrasives, as this will affect the appliance appearance and potentially remove any printing of artwork on the control panel and will void manufacturer's warranty.

GREASE MESH FILTERS

The mesh filters can be cleaned by hand. Soak them for about 3 minutes in water with a grease-loosening detergent then brush it gently with a soft brush. Please do not apply too much pressure, avoid to damage it. (Leave to dry naturally out of direct sunlight)

Filters should be washed separately to crockery and kitchen utensils. It is advisable not to use rinse aid.



INSTALLING GREASE MESH FILTERS

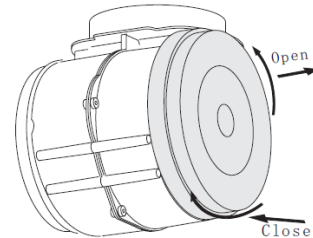
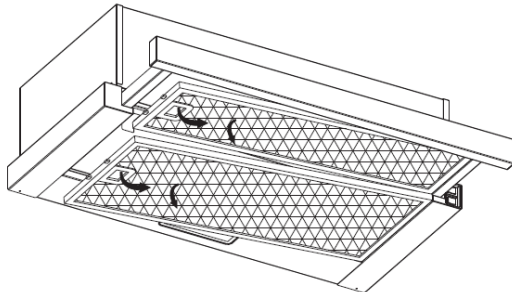
- To install filters for the following four steps .
- Angle the filter into slots at the back of the hood.
- Push the button on handle of the filter.
- Release the handle once the filter fits into a resting position.
- Repeat to install all filters.

CARBON FILTER- not supplied

Activated carbon filter can be used to trap odors. Normally the activated carbon filter

should be changed at three or six months according to your cooking habit. The installation procedure of activated carbon filter is as below.


- (1) Slide the front part of the cooker hood.
- (2) The al filter should be detached first. Press the lock and pull it downward.
- (3) Take out the carbon filter by rotating the carbon filter anti-clockwise.
- (4) Replace the new carbon filter.



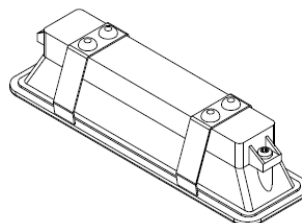
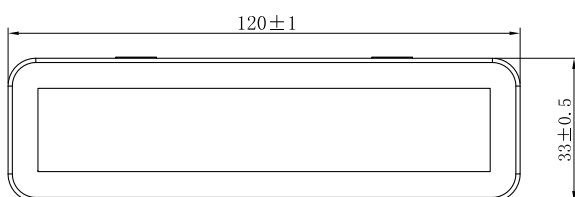
NOTE:

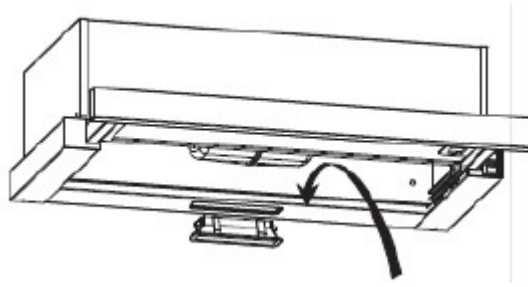
- Make sure the filter is securely locked. Otherwise, it would loosen and cause dangerous.
- When activated carbon filter attached, the suction power will be lowered.

BULB REPLACEMENT

<p>Important :</p> 	<ul style="list-style-type: none"> ✧ The bulb must be replaced by the manufacturer, its service agent or similarly qualified persons. ✧ Always switch off the electricity supply before carrying out any operations on the appliance. When handling bulb, make sure it is completely cool down before any direct contact to hands. ✧ When handling globes hold with a cloth or gloves to ensure perspiration does not come in contact with the globe as this can reduce the life of the globe.
--	---

- (1) Switch off the appliance and unplug it.
 - (2) Slide the front part of the cooker hood.
 - (3) The al filter should be detached first. Press the lock and pull it downward.
 - (4) Replace with same type of light. 110-240V~50Hz, MAX.2W LED
- ILCOS D code for this lamp is: DBS-2/65-H-120/33.
 - Max wattage: 2 W
 - Voltage range: AC 110-240 V
 - Dimensions:





ENVIRONMENTAL PROTECTION:



This appliance is labelled in accordance with European Directive 2012/19/EU regarding electric and electronic appliances (WEEE). The WEEE contain both polluting substances (that can have a negative effect on the environment) and base elements (that can be reused). It is important that the WEEE undergo specific treatments to correctly remove and dispose of the pollutants and recover all the materials. Individuals can play an important role in ensuring that the WEEE do not become an environmental problem; It is essential to follow a few basic rules:

- the WEEE should not be treated as domestic waste;
- the WEEE should be taken to dedicated collection areas managed by the town council or a registered company.

In many countries, domestic collections may be available for large WEEEs. When you buy a new appliance, the old one can be returned to the vendor who must accept it free of charge as a one-off, as long as the appliance is of an equivalent type and has the same functions as the purchased appliance.

NOTE:

The following shows how to reduce total environmental impact (e.g. energy use) of the cooking process).

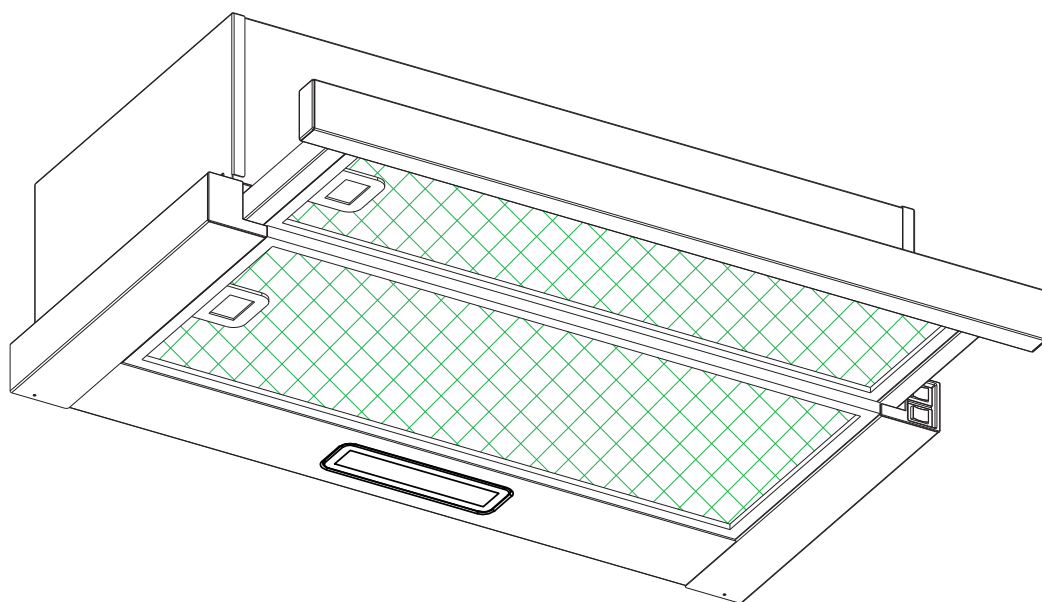
- (1) Install the cooker hood in a proper place where there is efficient ventilation.
- (2) Clean the cooker hood regularly so as not to block the airway.
- (3) Remember to switch off the cooker hood light after cooking.
- (4) Remember to switch off the cooker hood after cooking.

INFORMATION FOR DISMANTLING

Do not dismantle the appliance in a way which is not shown in the user manual. The appliance could not be dismantled by user. At the end of life, the appliance should not be disposed of with household waste. Check with you Local Authority or retainer for recycling advice.

Hotte aspirante

Manuel d' instruction



Sommaire

- 1.....Consignes de sécurité
- 2.....Installation
- 3.....Commencez à utiliser votre hotte aspirante
- 4.....Dépannage
- 5.....Entretien et nettoyage
- 6.....Protection de l' environnement

CONSIGNES DE SÉCURITÉ

Ce manuel explique comment installer et utiliser correctement votre hotte aspirante. Veuillez le lire attentivement avant toute utilisation même si vous connaissez bien le produit. Le manuel doit être conservé en lieu sûr pour pouvoir le consulter en cas de besoin.

À ne jamais faire :

- Ne tentez pas d'utiliser la hotte aspirante sans les filtres à graisse ou si les filtres sont excessivement encrassés !
- Ne l'installez jamais au-dessus d'une cuisinière avec un gril placé en hauteur.
- Ne laissez pas les poêles à frire sans surveillance pendant leur utilisation car les huiles ou les graisses surchauffées pourraient prendre feu.
- Ne laissez jamais des flammes nues sous la hotte aspirante.



- Si la hotte aspirante est endommagée, n'essayez pas de l'utiliser.
- Ne flambez rien sous la hotte aspirante.
- ATTENTION : Les parties accessibles peuvent devenir chaudes lors de l'utilisation avec des appareils de cuisson.
- La distance minimale entre la surface de support pour les récipients de cuisson sur la plaque de cuisson et la partie la plus basse de la hotte aspirante. (Quand la hotte aspirante est située au-dessus d'une cuisinière à gaz, cette distance doit être d'au moins 65 cm)
- L'air ne doit pas être évacué dans un conduit utilisé pour les fumées provenant d'appareils de combustion à gaz ou fonctionnant avec d'autres carburants.



À toujours faire :

- Important ! Coupez toujours l'alimentation électrique durant l'installation et l'entretien, comme par exemple quand vous changez une ampoule.
- La hotte aspirante doit être installée conformément aux instructions d'installation et toutes les mesures doivent être respectées.
- Tout le travail d'installation doit être effectué par une personne compétente ou un électricien qualifié.
- Veuillez faire attention quand vous jetez l'emballage. Les enfants pourraient se blesser avec.
- Faites attention aux bords coupants à l'intérieur de la hotte aspirante durant l'installation et le nettoyage.
- Quand la hotte aspirante est située au-dessus d'une cuisinière, la distance minimale entre la surface de support pour les récipients de cuisson sur la plaque de cuisson et la partie la plus basse de la hotte aspirante doit être la suivante :
Cuisinières à gaz : 75 cm
Cuisinières électriques : 65 cm
Cuisinières à charbon ou à mazout : 75 cm
- Vérifiez que les coudes des conduits ne sont pas inférieurs à 90 degrés car cela réduirait l'efficacité de la hotte aspirante.
- Avertissement : Si les vis ou le dispositif de fixation ne sont pas installés conformément à ces instructions, cela peut provoquer des dangers électriques

À toujours faire :

- Placez toujours le couvercle sur les casseroles et les poêles quand vous cuisinez sur une cuisinière à gaz.
- En mode extraction, l'air de la pièce est éliminé par la hotte aspirante. Vérifiez que des mesures de ventilation correctes sont adoptées. La hotte aspirante élimine les odeurs de la pièce mais pas la vapeur.
- La hotte aspirante est réservée à un usage domestique.



- Si le cordon d'alimentation est endommagé, faites-le remplacer par le fabricant, le service après-vente ou un électricien qualifié pour éviter tout risque d'accident.
- Cet appareil peut être utilisé par des enfants âgés de 8 ans et plus et par des personnes à capacités physiques, sensorielles ou intellectuelles réduites ou sans expérience et connaissances, s'ils sont sous une surveillance appropriée ou bien s'ils ont été informés quant à l'utilisation de l'appareil de manière sûre, et s'ils comprennent les risques impliqués. Les enfants ne doivent pas jouer avec l'appareil. Le nettoyage et l'entretien ne doivent pas être effectués par des enfants sans surveillance.



- **Avertissement :** Avant d'accéder aux bornes, il faut débrancher tous les circuits d'alimentation.

À toujours faire :

- **Attention :** L'appareil et ses parties accessibles peuvent devenir chauds durant le fonctionnement. Évitez de toucher les éléments qui chauffent. Les enfants âgés de moins de 8 ans doivent rester à distance à moins d'être surveillés en permanence.
- Il faut disposer d'une ventilation appropriée dans la pièce où la hotte aspirante est utilisée en même temps que d'autres appareils brûlant du gaz ou d'autres carburants.
- Il existe un risque d'incendie si le nettoyage n'est pas effectué conformément aux instructions.
- Les réglementations relatives à l'évacuation de l'air doivent être respectées.
- Nettoyez régulièrement votre appareil en suivant la méthode fournie dans le chapitre ENTRETIEN.
- Pour des raisons de sécurité, veuillez n'utiliser que des vis de fixation ou de montage de la même taille que celle recommandée dans ce manuel d'instruction.
- En ce qui concerne les détails sur la méthode et la fréquence de nettoyage, veuillez vous reporter au paragraphe relatif à l'entretien et au nettoyage dans le manuel d'instruction.
- Le nettoyage et l'entretien ne doivent pas être effectués par des enfants sans surveillance.
- Quand la hotte aspirante et les appareils alimentés par autre chose que de l'électricité fonctionnent simultanément, la pression négative à l'intérieur de la pièce ne doit pas dépasser 4 Pa (4 x 10⁻⁵ bar).
- **AVERTISSEMENT :** Risque d'incendie : ne rangez aucun objet sur les surfaces de cuisson.
- Il ne faut pas utiliser de nettoyeur vapeur.
- Ne tentez JAMAIS d'éteindre un incendie avec de l'eau, mais éteignez l'appareil puis couvrez la flamme par exemple avec un couvercle ou une couverture pare-flammes.

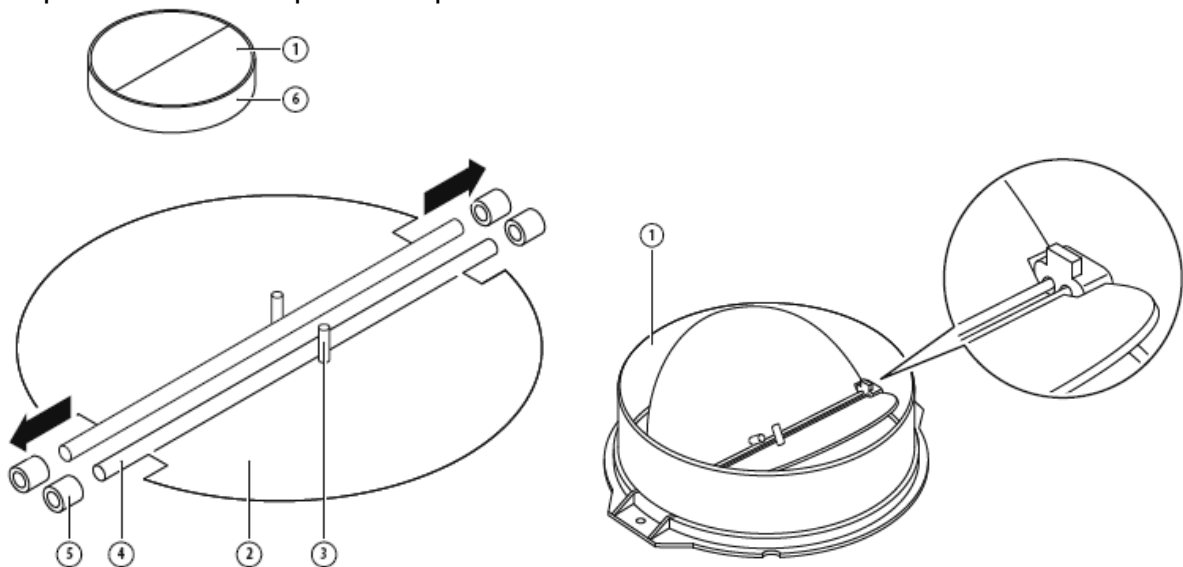
INSTALLATION (ÉVENT À L' EXTÉRIEUR)

MONTAGE DU RABAT EN V

Si la hotte aspirante n'a pas de rabat en V 1 monté, vous devez monter les moitiés sur son corps. Les images ne montrent qu'un exemple de la façon de monter le rabat en V, la sortie peut varier en fonction des modèles et de la configuration.

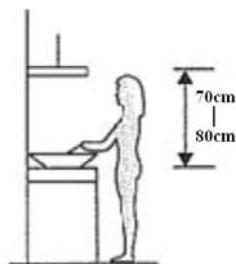
Pour monter le rabat en V 1, vous devez :

- Monter deux moitiés 2 dans le corps 6 ;
- Une cheville 3 doit être dirigée vers le haut ;
- L'axe 4 doit être introduit dans les trous 5 sur le corps ;
- Répétez toutes les opérations pour la seconde moitié.

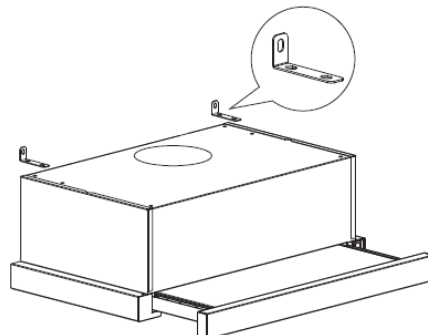


INSTALLATION (murale)

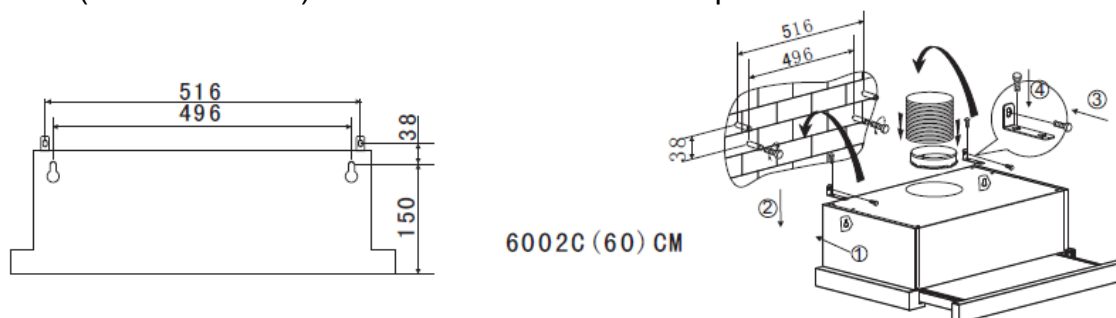
1. Choisissez l'emplacement des trous pour fixer la hotte aspirante.



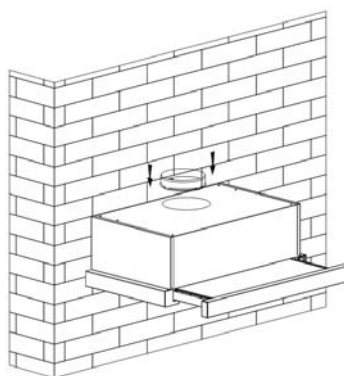
2. Installez l'étrier en L sur le dessus de la hotte avec deux vis (4 mm x 10 mm).



- La hotte aspirante est fixée au mur par 4 vis (4 mm x 30 mm) et des chevilles. Fixez la hotte aspirante sur le mur au niveau de l'arrière de la hotte aspirante avec 2 vis (4 mm x 30 mm) et des chevilles. Puis fixez la hotte aspirante sur le mur avec 2 vis (4 mm x 30 mm) et des chevilles à travers le petit étrier en L.

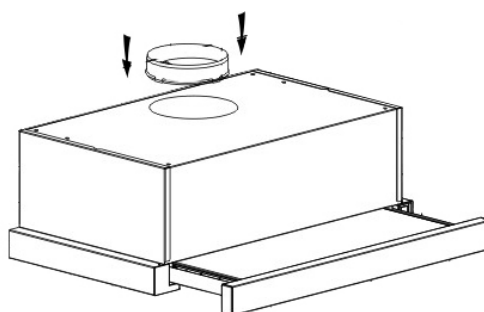


- Fixez le clapet anti-refoulement sur la sortie d'air de la hotte aspirante.

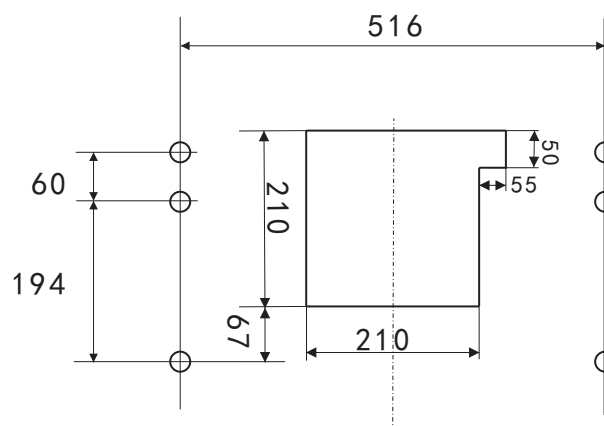


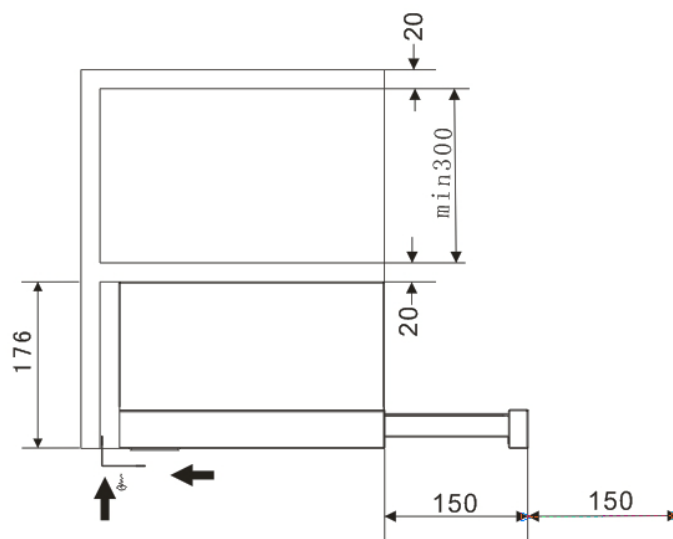
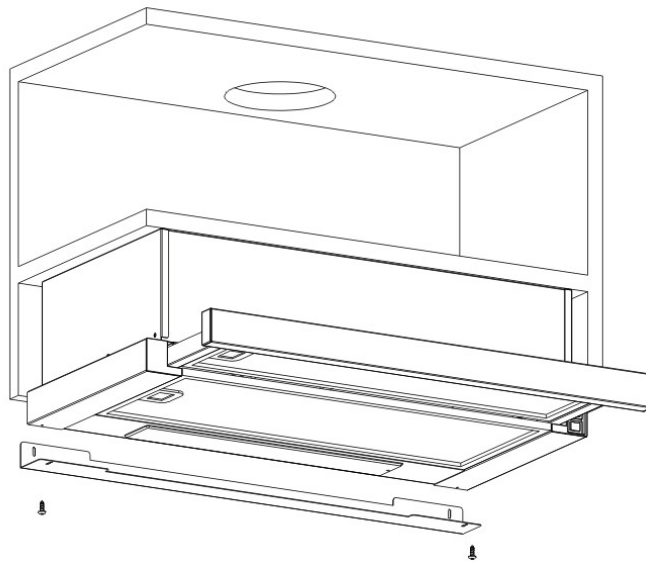
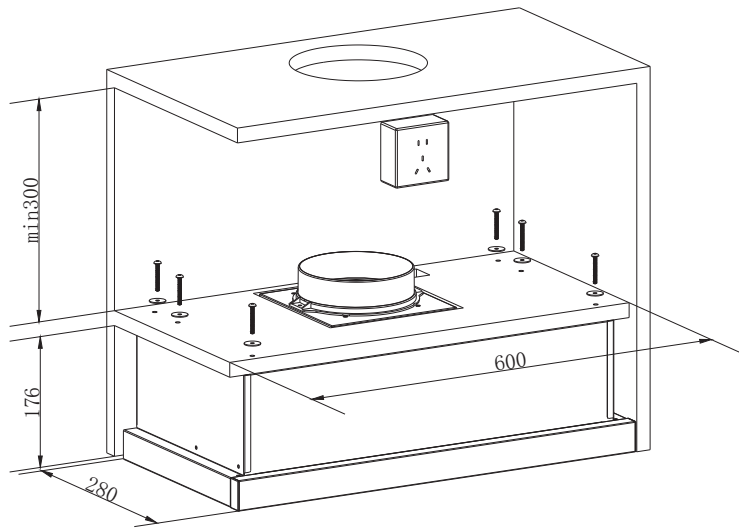
INSTALLATION (sur un meuble)

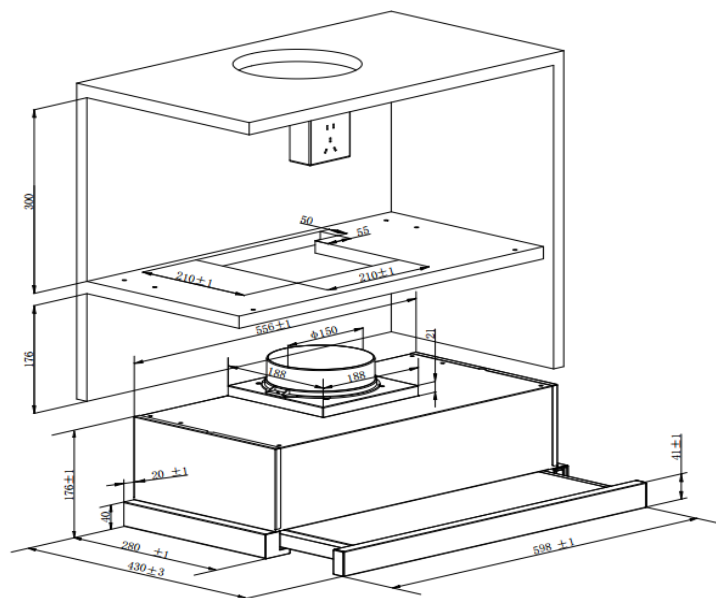
- Fixez le clapet anti-refoulement sur la sortie d'air de la hotte aspirante.



- Montez la hotte aspirante sur le meuble avec les 6 vis (4x35 mm) et les rondelles plates.







S'il y a un espace vide entre le mur et la hotte, vous pouvez installer l'étrier en L sur le bas de la hotte avec deux vis (3 x 12 mm).

L'installation de l'étrier en L est facultative.

Remarque : la gaine extensible n'est pas fournie avec le produit.

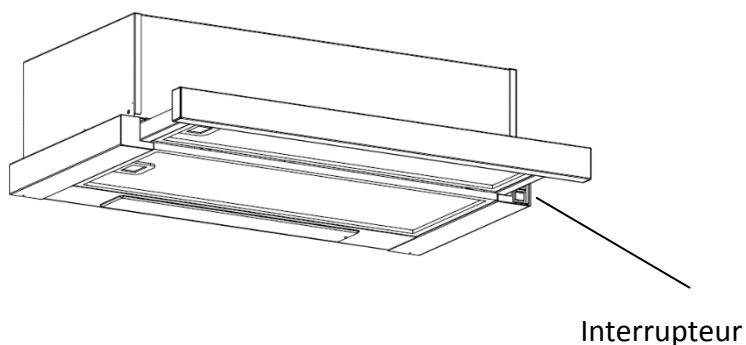
AVERTISSEMENT :



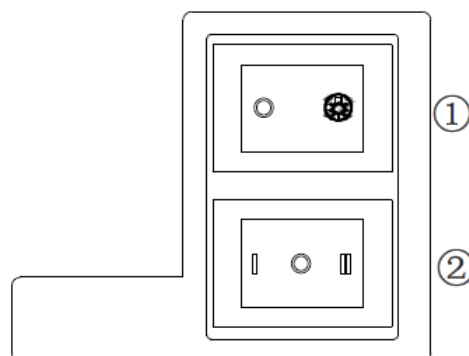
- Pour des raisons de sécurité, veuillez n'utiliser que des vis de fixation ou de montage de la même taille que celle recommandée dans ce manuel d'instruction.
- Si les vis ou le dispositif de fixation ne sont pas installés conformément à ces instructions, cela peut provoquer des dangers électriques.

Commencez à utiliser votre hotte aspirante

Interrupteur basculant



basculant



1. Branchez la fiche dans la prise.

2. Appuyez l'interrupteur ① sur , la lampe s' allumera ; appuyez l' interrupteur ① sur "0" , la lampe s' éteindra.

3. Appuyez l' interrupteur ② sur "I, II" , le moteur s' allumera sur les deux vitesses "basse, élevée" , appuyez-le sur "0" , le moteur s' éteindra.
4. Le courant sera connecté quand le panneau frontal sera débranché. Inversement, le courant sera automatiquement déconnecté.

DÉPANNAGE

Problème	Cause possible	Solution
La lumière est allumée mais le moteur ne fonctionne pas	Le ventilateur est éteint	Sélectionnez une position du commutateur du ventilateur.
	Panne du commutateur du ventilateur	Contactez le centre d'assistance.
	Panne du moteur	Contactez le centre d'assistance.
La lumière ne fonctionne pas, le moteur ne fonctionne pas	Les fusibles de la maison ont sauté	Remettez/Remplacez les fusibles.
	Cordon d'alimentation lâche ou débranché	Rebranchez le cordon à la prise de courant. Mettez sous tension la prise de courant.
Fuite d'huile	Le clapet anti-refoulement et la sortie ne sont pas bien étanches	Ôtez le clapet anti-refoulement et rendez-le étanche avec du mastic.
	Fuite au niveau du raccordement de la cheminée et du couvercle	Ôtez la cheminée et rendez-la étanche.
Les lumières ne fonctionnent pas	Ampoules cassées/défectueuses	Changez les ampoules selon ces instructions.
Aspiration insuffisante	La distance entre la hotte aspirante et la plaque de cuisson au gaz est trop importante	Remontez la hotte aspirante à la bonne distance.
La hotte aspirante est inclinée	La vis de fixation n'est pas suffisamment serrée	Serrez la vis de suspension et placez-la à l'horizontale.

REMARQUE :



Toute réparation électrique sur cet appareil doit être conforme aux lois locales et nationales. Veuillez contacter le centre d'assistance si vous avez des doutes avant d'effectuer toute réparation. Débranchez toujours l'unité de la source d'alimentation quand vous ouvrez l'unité.

ENTRETIEN ET NETTOYAGE

Attention :

- Avant d'effectuer l'entretien ou le nettoyage, vous devez débrancher la hotte aspirante de l'alimentation. Vérifiez que la



hotte aspirante est éteinte au niveau de la prise murale et que la fiche est débranchée.

- Les surfaces extérieures sont susceptibles d'être rayées et de subir des abrasions, veuillez donc respecter les instructions de nettoyage pour garantir le meilleur résultat possible sans dégât.

GÉNÉRALITÉS

Le nettoyage et l'entretien doivent être effectués quand l'appareil est froid, en particulier pour le nettoyage. Évitez de laisser des substances alcalines ou acides (jus de citron, vinaigre, etc.) sur les surfaces.

ACIER INOXYDABLE

Il faut nettoyer régulièrement (par ex. une fois par semaine) l'acier inoxydable pour garantir une longue durée de vie. Essuyez-le avec un chiffon doux et sec. Un liquide de nettoyage spécialement conçu pour l'acier inoxydable peut être utilisé.

REMARQUE :

Veillez à essuyer l'appareil le long du grain de l'acier inoxydable pour éviter l'apparition de rayures croisées.

SURFACE DU PANNEAU DE COMMANDE

Le panneau de commande peut être nettoyé avec de l'eau savonneuse chaude. Vérifiez que le chiffon est propre et bien essoré avant d'effectuer le nettoyage. Utilisez un chiffon doux et sec pour éliminer l'excès d'humidité restant après le nettoyage.

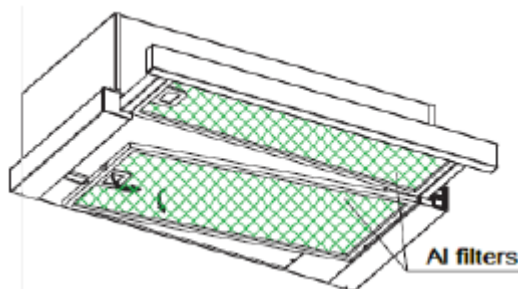
Important

Utilisez des détergents neutres et évitez les produits chimiques agressifs, les détergents ménagers puissants ou les produits contenant des abrasifs, car cela affectera l'aspect de l'appareil et pourrait éliminer les dessins imprimés sur le panneau de commande et rendre la garantie caduque.

FILTRES À TAMIS À GRAISSE

Les filtres à tamis peuvent être nettoyés à la main. Plongez-les pendant près de 3 minutes dans de l'eau avec un détergent pour dissoudre la graisse, puis brossez-les délicatement avec une brosse douce. N'exercez pas une pression trop importante pour éviter de les endommager. (Laissez-les sécher naturellement sans les placer en plein soleil)

Les filtres doivent être lavés séparément des couverts et des ustensiles de cuisine. Il est conseillé de ne pas utiliser un agent de rinçage.



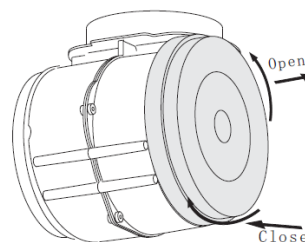
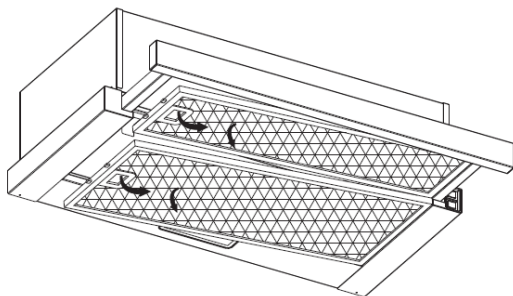
INSTALLATION DES FILTRES À TAMIS À GRAISSE

- Pour installer les filtres, suivez ces quatre étapes :
 - Inclinez le filtre pour l'introduire dans les fentes à l'arrière de la hotte ;
 - Appuyez sur le bouton situé sur la poignée du filtre ;
 - Relâchez la poignée une fois que le filtre est mis en place ;
 - Répétez cette opération pour installer tous les filtres.

FILTRE À CHARBON - non fourni

Le filtre à charbon actif peut être utilisé pour capturer les odeurs. Il faut habituellement remplacer le filtre à charbon actif tous les trois ou six mois en fonction de vos habitudes de cuisine. La procédure d'installation du filtre à charbon actif est indiquée ci-dessous.


- (1) Faites glisser la partie avant de la hotte aspirante.
- (2) Il faut d'abord détacher le filtre en aluminium. Appuyez sur le verrou et tirez-le vers le bas.
- (3) Ôtez le filtre à charbon en faisant tourner le filtre à charbon dans le sens contraire des aiguilles d'une montre.
- (4) Placez le filtre à charbon neuf.



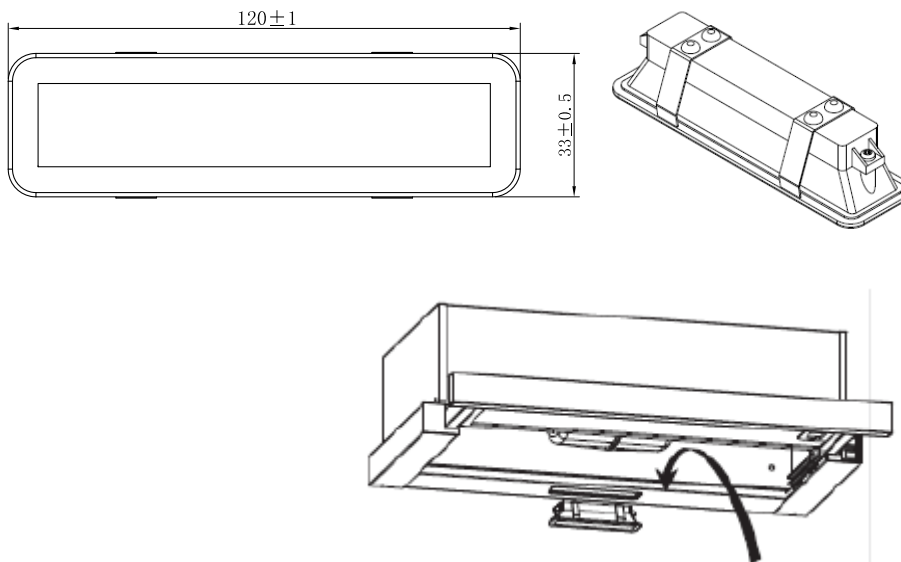
REMARQUE :

- Assurez-vous que le filtre est bien verrouillé. Sinon, il pourrait se détacher et devenir dangereux.
- Quand le filtre à charbon actif est fixé, la puissance d'aspiration diminue.

REMPACEMENT DE L'AMPOULE

<p>Important :</p> 	<ul style="list-style-type: none">✧ L'ampoule doit être remplacée par le fabricant, le service après-vente ou d'autres personnes qualifiées.✧ Coupez toujours le courant avant d'effectuer toute opération sur l'appareil. Quand vous manipulez l'ampoule, assurez-vous qu'elle ait entièrement refroidi avant tout contact direct avec les mains.✧ Quand vous manipulez les ampoules, faites-le avec un chiffon ou des gants pour éviter tout contact entre de la transpiration et l'ampoule car cela peut réduire la durée de vie de l'ampoule.
--	---

- (1) Éteignez l'appareil et débranchez-le.
- (2) Faites glisser la partie avant de la hotte aspirante.
- (3) Il faut d'abord détacher le filtre en aluminium. Appuyez sur le verrou et tirez-le vers le bas.
- (4) Remplacez par le même type d'ampoule : LED 110-240 V~50 Hz, MAXI 2 W
 - Le code ILCOS D pour cette lampe est le suivant : DBS-2/65-H-120/33.
 - Puissance maxi : 2 W
 - Plage de tension : CA 110-240 V
 - Dimensions :



PROTECTION DE L'ENVIRONNEMENT



Cet appareil est conforme à la directive Européenne 2012/19/UE relative aux règlements 2013 sur les Déchets d'équipements électriques et électroniques (DEEE) (Waste Electrical and Electronic Equipment - WEEE). La catégorie DEEE recouvre à la fois les substances polluantes (pouvant avoir des retombées négatives sur l'environnement) et les composants de base (pouvant être réutilisés). Il est important que les DEEE subissent des traitements spécifiques pour éliminer et jeter correctement les polluants et récupérer tous les matériaux. Chaque individu peut jouer un rôle important en veillant à ce que les produits DEEE ne deviennent pas un problème pour l'environnement. Pour cela, il est essentiel de suivre quelques règles de base :

- les DEEE ne doivent pas être traités comme des déchets ménagers ;
- les DEEE doivent être amenés à des zones de collecte spécifiques gérées par le conseil municipal ou une société dûment enregistrée.

Dans de nombreux pays, des décharges domestiques peuvent être disponibles pour de grands DEEE. Lorsque vous achetez un nouvel appareil, l'ancien peut être retourné au détaillant qui est en devoir de le récupérer sans frais, à titre exceptionnel, tant que l'équipement est de type équivalent et a les mêmes fonctions que l'équipement fourni.



REMARQUE :

Les indications suivantes montrent comment réduire l'impact total sur l'environnement (par ex. utilisation de l'énergie) du processus de cuisson.

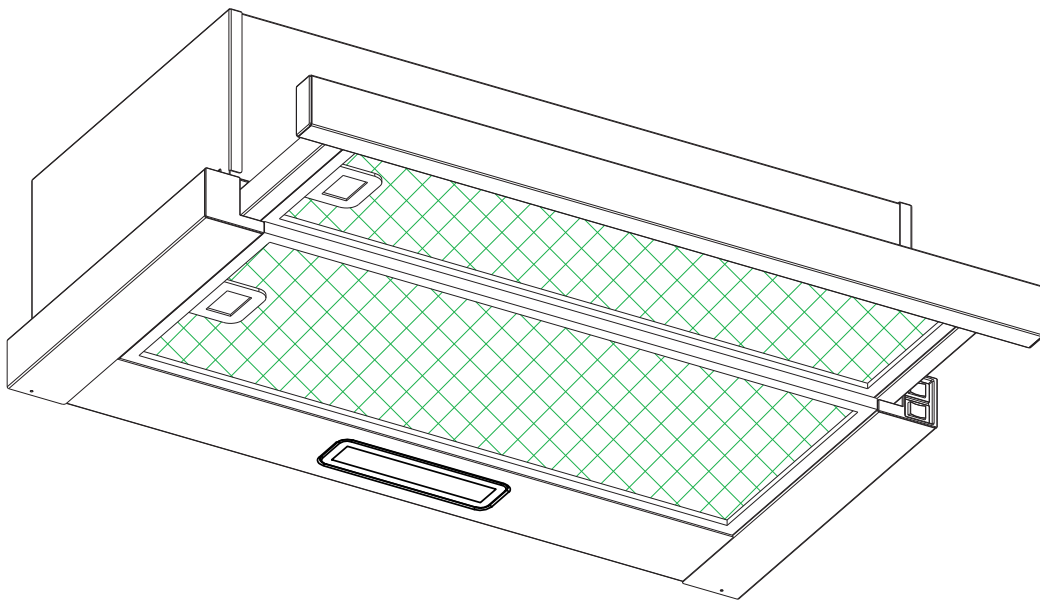
- (1) Installez la hotte aspirante à un endroit approprié disposant d'une ventilation efficace.
- (2) Nettoyez la hotte aspirante régulièrement de manière à ne pas obstruer le conduit d'air.
- (3) N'oubliez pas d'éteindre la lumière de la hotte aspirante après avoir cuisiné.
- (4) N'oubliez pas d'éteindre la hotte aspirante après avoir cuisiné.

INFORMATIONS POUR LE DÉMONTAGE

Ne démontez pas l'appareil autrement que ce qui est indiqué dans le manuel d'utilisation. L'appareil ne doit pas être démonté par l'utilisateur. À la fin de sa durée de vie, l'appareil ne doit pas être jeté avec les ordures ménagères. Adressez-vous aux autorités locales ou au revendeur pour connaître la méthode de recyclage.

Campana extractora

Manual de instrucciones



Índice

1. Instrucciones de seguridad
2. Instalación (ventilación exterior)
3. Empezar a usar la campana
extractora
4. Resolución de problemas
5. Mantenimiento y limpieza
6. Protección del medio ambiente:

INSTRUCCIONES DE SEGURIDAD

Este manual explica la instalación y el uso adecuados de su campana extractora. Léalo atentamente antes de usarla, incluso si está familiarizado con el producto. El manual debe guardarse en un lugar seguro para futuras consultas.

Lo que nunca debe hacer:

- ¡No use la campana extractora sin los filtros de grasa o si los filtros están excesivamente grasientos!
- No la instale encima de una cocina con una parrilla de alto nivel.
- No deje las sartenes desatendidas durante el uso porque las grasas o aceites sobrecalentados pueden prenderse en llamas.
- Nunca deje llamas abiertas debajo de la campana extractora.



- No intente usar la campana extractora si está dañada.
- No flambee debajo de la campana extractora.
- **PRECAUCIÓN:** Las partes accesibles pueden calentarse cuando se usan con aparatos de cocina.
- La distancia mínima entre la superficie de soporte para los utensilios de cocción en el fogón y la parte más baja de la campana extractora. (Cuando la campana se encuentra encima de una cocina de gas, esta distancia debe ser de al menos 65 cm).
- El aire no debe extraerse en conductos usados para expulsar humos de aparatos que queman gas u otros combustibles.

Lo que siempre debe hacer:

- ¡Importante! Apague siempre el suministro de la red eléctrica durante la instalación y las actividades de mantenimiento, como cambiar una bombilla.
- La campana extractora debe instalarse de acuerdo con las instrucciones de instalación y todas las medidas seguidas.
- Todos los trabajos de instalación deben ser realizados por una persona competente o un electricista cualificado.
- Deseche el material de embalaje cuidadosamente. Los niños son vulnerables a este.
- Preste atención a los bordes afilados dentro de la campana extractora, especialmente durante la instalación y la limpieza.
- Cuando la campana extractora se encuentra encima de una cocina de gas, la distancia mínima entre la superficie de soporte para los utensilios de cocción en el fogón y la parte más baja de la campana debe ser:
 - Cocinas de gas: 75 cm
 - Cocinas eléctricas: 65 cm
 - Cocinas de carbón o aceite: 75 cm
- Asegúrese de que los conductos no tengan dobleces superiores a 90 grados, ya que esto reducirá la eficiencia de la campana extractora.



Lo que siempre debe hacer:

- Coloque siempre tapas en ollas y sartenes cuando cocine en una cocina de gas.
- Cuando se encuentre en el modo de extracción, la campana extractora estará extrayendo el aire de la habitación. Asegúrese de que se estén observando las medidas de ventilación adecuadas. La campana extractora elimina los olores de la habitación, pero no el vapor.
- La campana extractora es solo para uso doméstico.



- Si el cable de alimentación está dañado, debe ser sustituido por el fabricante, por el servicio técnico o cualquier profesional cualificado similar para evitar peligros.
- Este electrodoméstico puede ser utilizado por niños a partir de 8 años y por personas con capacidades físicas, sensoriales o mentales reducidas, o sin experiencia o conocimientos, siempre y cuando previamente hayan recibido la supervisión y las instrucciones necesarias para utilizar el aparato de forma segura y comprendan los riesgos que implica. Los niños no deben jugar con este electrodoméstico. Las operaciones de limpieza y mantenimiento no deben ser realizadas por niños sin supervisión.



- •Advertencia: Si los tornillos o el dispositivo de fijación no se instalan de acuerdo con estas instrucciones, pueden producirse riesgos eléctricos.

Lo que siempre debe hacer:

- Precaución: El electrodoméstico y sus accesorios se pueden calentar durante el uso. Trate de evitar tocar los elementos de calentamiento. Los niños menores de 8 años deben mantenerse alejados a menos que estén bajo supervisión permanente.
- La habitación debe estar adecuadamente ventilada cuando la campana extractora se usa al mismo tiempo que electrodomésticos que quemen gas u otros combustibles.
- Existe un riesgo de incendio si la limpieza no se lleva a cabo de acuerdo con las instrucciones.
- Deben cumplirse las normativas relativas a la extracción de aire.
- Limpie su electrodoméstico periódicamente siguiendo el método indicado en el capítulo MANTENIMIENTO.
- Por razones de seguridad, use solo tornillos de fijación o montaje del tamaño recomendado en este manual de instrucciones.
- En cuanto a los detalles sobre el método y la frecuencia de limpieza, consulte la sección de mantenimiento y limpieza en el manual de instrucciones.
- Las operaciones de limpieza y mantenimiento no deben ser realizadas por niños sin supervisión.
- Cuando la campana extractora y los electrodomésticos que funcionan con energía que no sea electricidad están funcionando simultáneamente, la presión negativa en la habitación no debe superar los 4 Pa (4×10^{-5} bar).
- PRECAUCIÓN: Peligro de incendio: no almacene artículos sobre las superficies de cocción.
- No se debe utilizar un limpiador a vapor.

- Advertencia: Antes de obtener acceso a los terminales, todos los circuitos de suministro deben estar desconectados.
- NUNCA intente apagar un incendio con agua; debe apagar el aparato y cubrir posteriormente la llama, p. ej., con una tapa o una manta contra incendios.

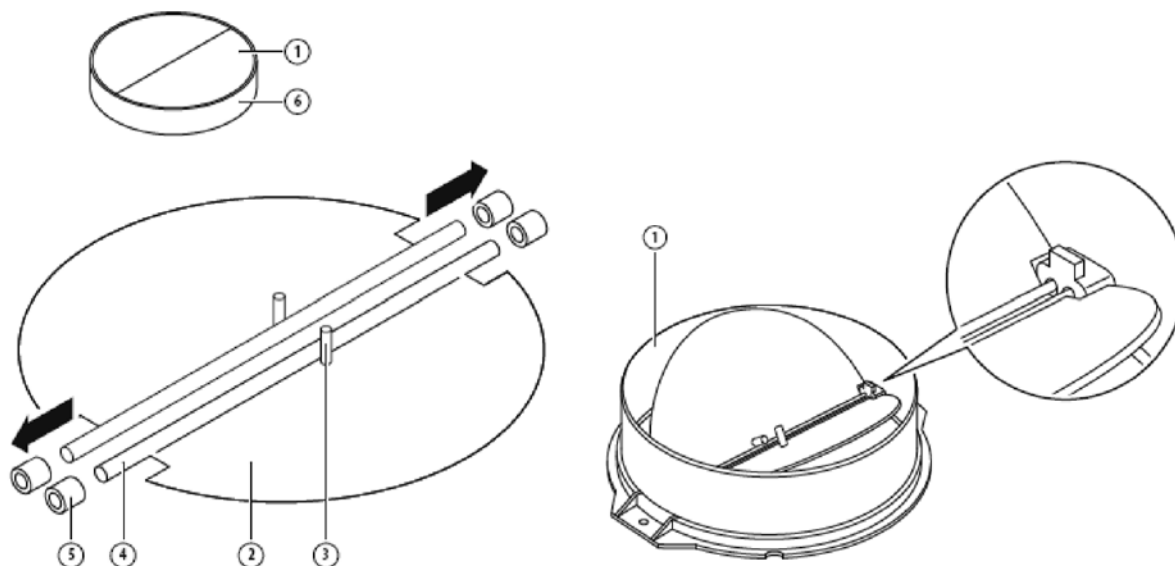
INSTALACIÓN (VENTILACIÓN EXTERIOR)

MONTAJE DE LA TAPA EN V

Si la campana extractora no dispone de una tapa en V 1 montada, debe montar las mitades en su cuerpo. Las imágenes solo muestran un ejemplo de cómo montar la tapa en V, la salida puede ser diferente según los diferentes modelos y configuraciones.

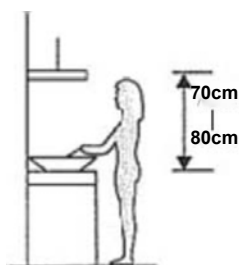
Para montar la tapa en V, debe:

- Montar las dos mitades 2 en el cuerpo 6.
- Un pasador 3 debería estar orientado hacia arriba.
- El eje 4 debería introducirse en los orificios 5 en el cuerpo.
- Repita todas las operaciones para la 2ª mitad.

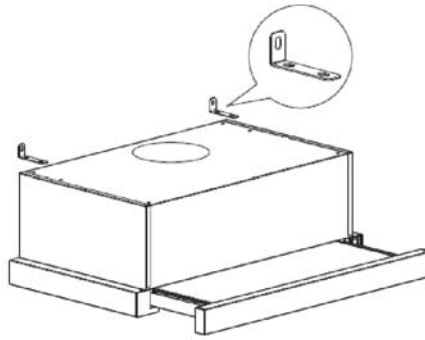


INSTALACIÓN (Montaje en pared)

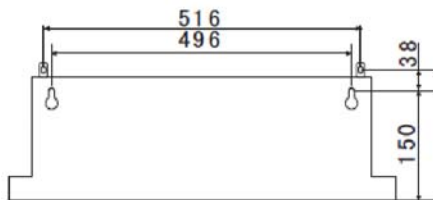
1. Decida la ubicación de los agujeros para fijar la campana extractora.



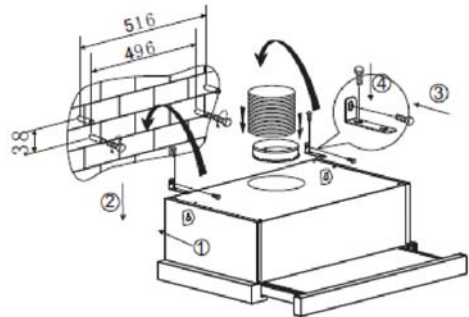
2. Instale el soporte en forma de L en la parte superior de la campana con dos tornillos (4 mm x 10 mm).



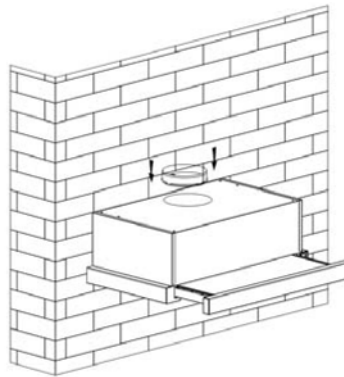
3. La campana extractora se monta en la pared con 4 tornillos (4 mm x 30 mm) y tacos de pared. Monte la campana extractora en la pared con 2 tornillos (4 mm x 30 mm) y tacos de pared en la parte posterior de la campana. Luego fije la campana extractora en la pared con 2 tornillos (4 mm x 30 mm) y tacos de pared ajustados al soporte pequeño en forma de L.



6002C (60) CM

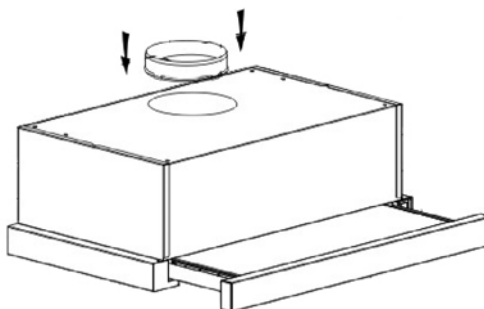


4. Fije la válvula de una vía a la salida de aire de la campana extractora.

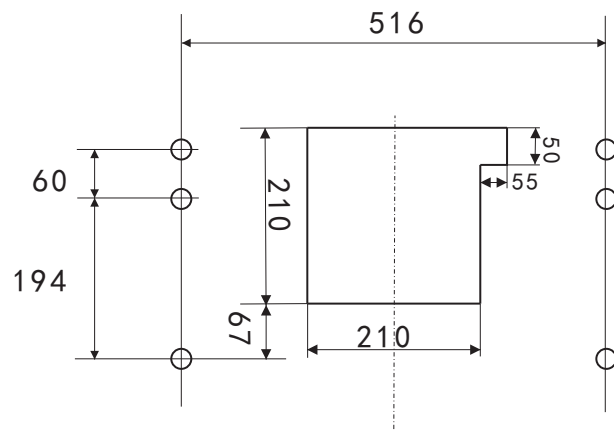


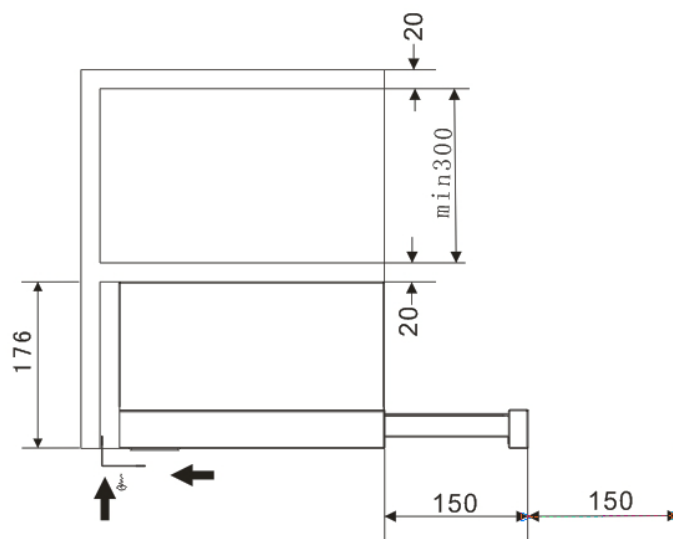
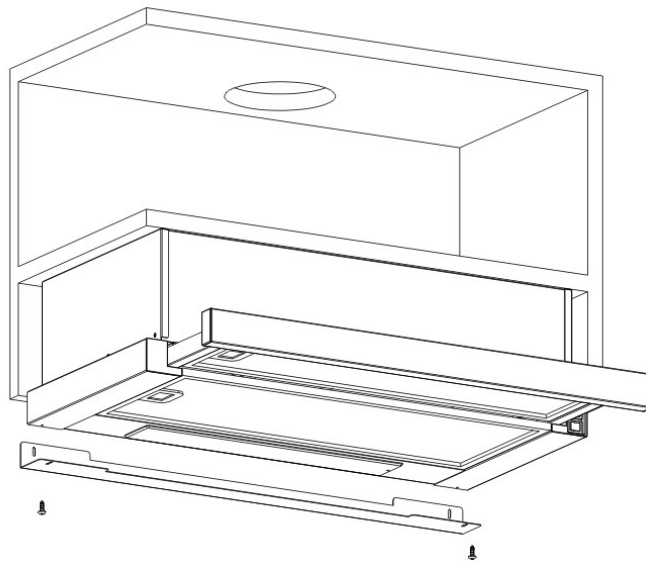
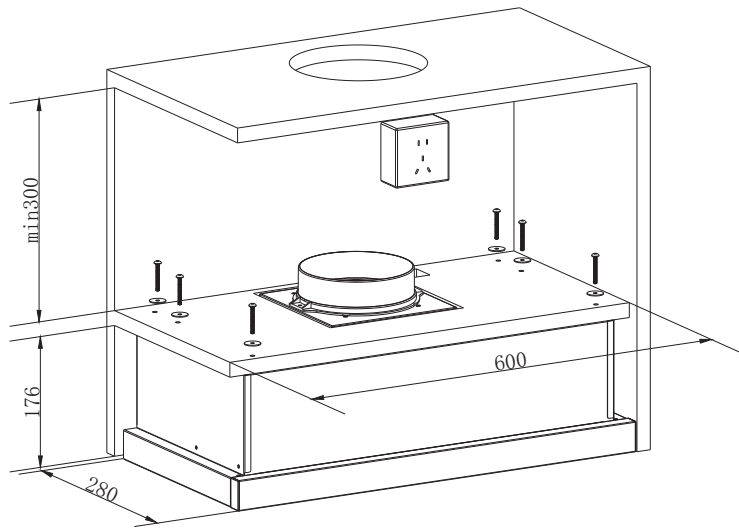
INSTALACIÓN (Montaje en armario)

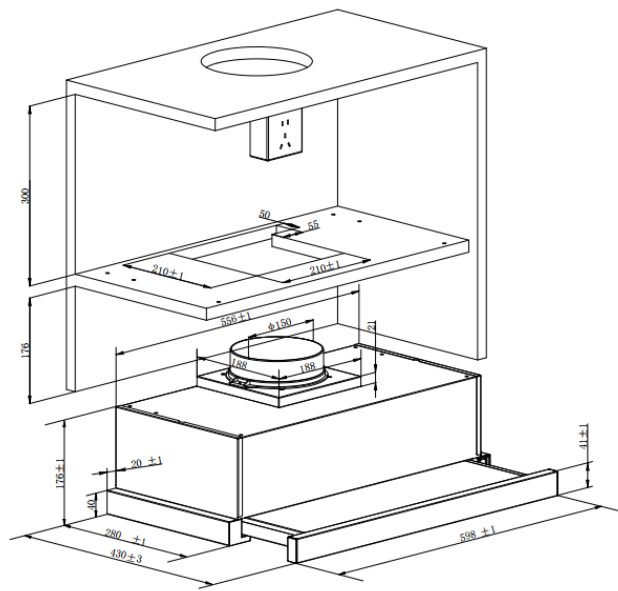
1. Fije la válvula de una vía a la salida de aire de la campana extractora.



2. Monte la campana extractora en el armario con 6 tornillos (4 x 35 mm) y arandelas planas.








Si hay un espacio entre la pared y la campana extractora, puede instalar el soporte en forma de L en la parte inferior de la campana mediante dos tornillos (3 x 12 mm).

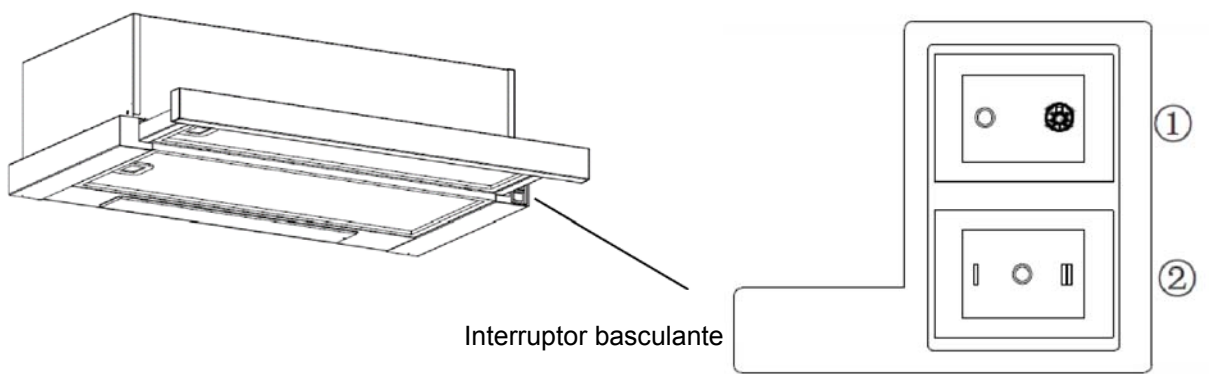
La instalación del soporte en forma de L es opcional.

Nota: El tubo de expansión no está incluido en el producto.

<p>PRECAUCIÓN:</p> 	<ul style="list-style-type: none"> ➤ Por razones de seguridad, use solo tornillos de fijación o montaje del tamaño recomendado en este manual de instrucciones. ➤ Si los tornillos o el dispositivo de fijación no se instalan de acuerdo con estas instrucciones, pueden producirse riesgos eléctricos.
---	--

Empezar a usar la campana extractora

Interruptor basculante



1. Introduzca el enchufe en la toma de corriente.
2. Mueva el interruptor ① hacia la luz se encenderá; mueva el interruptor ① a "0", la luz se apagará.
3. Mueva el interruptor ② hacia "I, II", el motor estará en una de las dos

velocidades, "baja, alta"; mueva el interruptor a "0", el motor se apagará.

4. La alimentación se conectará cuando saque el panel frontal. Por el contrario, la alimentación se desconectará automáticamente.

RESOLUCIÓN DE PROBLEMAS

Fallo	Causa posible	Solución
La luz está encendida, pero el motor no funciona	Interruptor del ventilador apagado	Seleccione una posición para el interruptor del ventilador.
	Fallo del interruptor del ventilador	Póngase en contacto con el centro de asistencia técnica.
	Fallo del motor	Póngase en contacto con el centro de asistencia técnica.
La luz no funciona, el motor no funciona	Han saltado los fusibles de la casa	Restablezca/Reemplace los fusibles.
	Cable de alimentación suelto o desconectado	Vuelva a ajustar el cable a la toma de corriente. Encienda la toma de corriente.
Fuga de aceite	La válvula de una vía y la salida no están herméticamente selladas	Desmonte la válvula de una vía y selle con un sellador.
	Fuga en la conexión del tubo de salida y la cubierta	Desmonte el tubo de salida y séllelo.
Las luces no funcionan	Globos rotos/defectuosos	Sustituya los globos siguiendo estas instrucciones.
Succión insuficiente	La distancia entre la campana extractora y el gas está demasiado lejos	Vuelva a colocar la campana extractora a la distancia correcta.
La campana extractora se inclina	El tornillo de fijación no está lo suficientemente ajustado	Apriete el tornillo de suspensión y coloque la campana en posición horizontal.

NOTA:

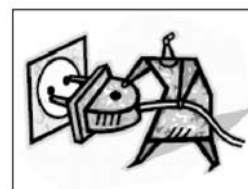


Cualquier reparación eléctrica de este electrodoméstico debe cumplir con las leyes locales, estatales y federales. Póngase en contacto con el centro de asistencia técnica si tiene alguna duda antes de realizar cualquiera de los pasos anteriores. Desconecte siempre la unidad de la fuente de alimentación cuando abra la unidad.

MANTENIMIENTO Y LIMPIEZA

Precaución:

- Antes de llevar a cabo el mantenimiento o la limpieza, la campana extractora debe estar desconectada de la fuente de alimentación principal. Asegúrese de que la campana extractora esté desconectada de la toma de pared y que se



haya retirado el enchufe.

- Las superficies externas son susceptibles a rasguños y abrasiones, por lo tanto, siga las instrucciones de limpieza para garantizar que se obtenga el mejor resultado posible sin daños.

GENERAL

La limpieza y el mantenimiento se deben llevar a cabo con el aparato frío, especialmente durante la limpieza. Evite dejar sustancias alcalinas o ácidas (jugo de limón, vinagre, etc.) en las superficies.

ACERO INOXIDABLE

El acero inoxidable debe limpiarse de forma regular (porejemplo, semanalmente) para garantizar una larga vida útil. Séquelo con un paño suave y limpio. Se puede usar un detergente específico para acero inoxidable.

NOTA:

Asegúrese de que la limpieza se realice siguiendo la trama del acero inoxidable para evitar que aparezcan los antiestéticos patrones de rayado cruzado.

SUPERFICIE DEL PANEL DE CONTROL

El panel de control incrustado se puede limpiar con agua tibia con jabón. Asegúrese de que el paño esté limpio y bien escurrido antes de limpiarlo. Use un paño suave y seco para eliminar el exceso de humedad que queda después de la limpieza.

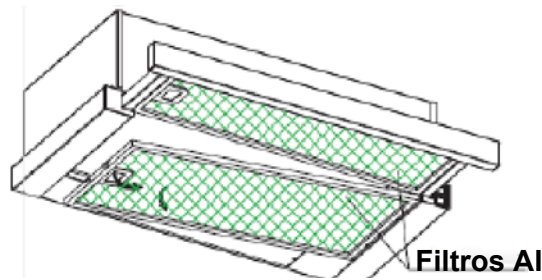
Importante

Use detergentes neutros y evite el uso de productos químicos de limpieza agresivos, detergentes domésticos fuertes o productos que contengan abrasivos, ya que esto afectará a la apariencia del electrodoméstico y posiblemente eliminará cualquier impresión estética en el panel de control y anulará la garantía del fabricante.

FILTROS DE MALLA PARA LA GRASA

Los filtros de malla se pueden limpiar a mano. Empápelos durante aproximadamente 3 minutos en agua con un detergente antigrasa y luego cepíllelos suavemente con un cepillo suave. No aplique demasiada presión, evite dañarlos. (Deje que se sequen de forma natural pero alejados de la luz directa del sol)

Los filtros deben lavarse separados de la vajilla y los utensilios de cocina. Se aconseja no utilizar agente enjuagante.



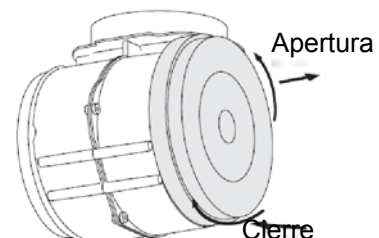
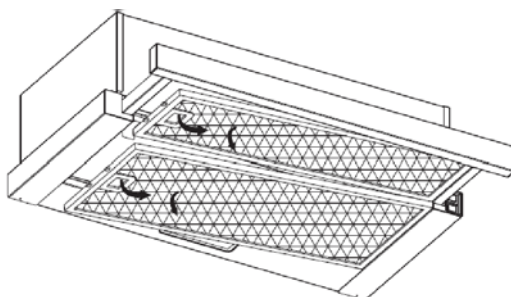
INSTALACIÓN DE LOS FILTROS DE MALLA PARA LA GRASA

- Para instalar los filtros, siga los siguientes cuatro pasos.
 - Posicione el filtro en las ranuras de la parte posterior de la campana.
 - Presione el botón del agarre del filtro.
 - Suelte el agarre una vez que el filtro se ajuste en una posición de descanso.
 - Repita este proceso para instalar todos los filtros.

FILTRO DE CARBONO - no incluido

El filtro de carbono activado se puede usar para atrapar los olores. Normalmente, el filtro de carbono activado debe cambiarse a los tres o seis meses, según sus hábitos de cocina. El procedimiento de instalación del filtro de carbono activado es el siguiente.

- (1) Deslice la parte frontal de la campana extractora.
- (2) Primero, debe extraerse el filtro al. Pulse el botón de bloqueo y tire hacia abajo.
- (3) Saque el filtro de carbono girándolo en sentido contrario a las agujas del reloj.
- (4) Coloque el nuevo filtro de carbono.



NOTA:

- Asegúrese de que el filtro esté bloqueado de forma segura. De lo contrario, se aflojará y causará daños.
- Cuando el filtro de carbono activado esté conectado, la potencia de succión disminuirá.

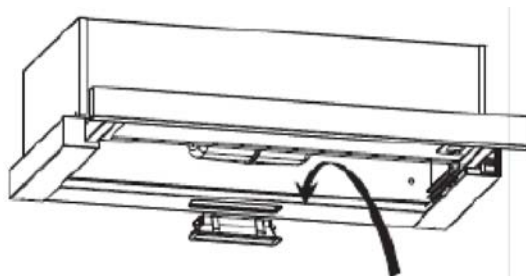
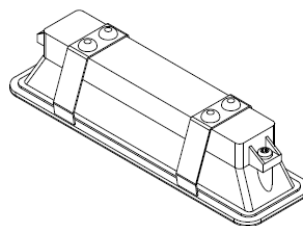
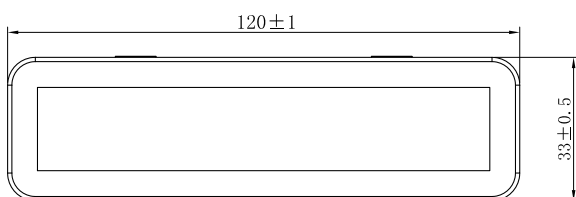
SUSTITUCIÓN DE LA BOMBILLA

Importante:



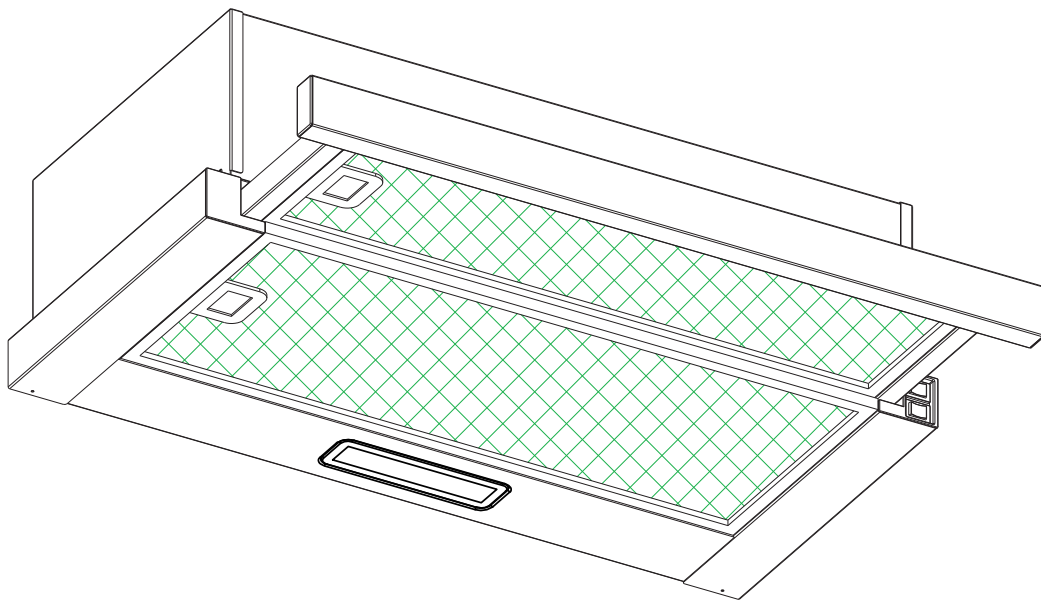
- ✧ La bombilla debe cambiarla el fabricante, su agente de servicio o personas con una cualificación similar.
- ✧ Apague siempre el suministro de electricidad antes de realizar cualquier operación en el aparato. Cuando manipule la bombilla, asegúrese de que esté completamente fría antes de cualquier contacto directo con las manos.
- ✧ Cuando manipule los globos, sosténgalos con un paño o guantes para asegurar que la transpiración no entre en contacto con el globo, ya que esto puede reducir la vida útil del globo.

- (1) Apague el aparato y desenchúfelo.
 - (2) Deslice la parte frontal de la campana extractora.
 - (3) Primero, debe extraerse el filtro al. Pulse el botón de bloqueo y tire hacia abajo.
 - (4) Coloque una bombilla con el mismo tipo de luz: 110-240 V ~ 50 Hz, MÁX. 2 W LED
- El código ILCOS D para esta lámpara es: DBS-2/65-H-120/33.
 - Potencia máxima: 2 W
 - Rango de voltaje: 110-240 V CA
 - Medidas:



Exaustor

Manual de instruções



Índice

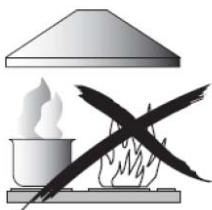
1.....	Instruções de segurança
2.....	Instalação
3.....	Começar a usar o seu exaustor
4.....	Resolução de problemas
5.....	Manutenção e limpeza
6.....	Proteção ambiental

INSTRUÇÕES DE SEGURANÇA

Este manual explica a instalação e a utilização correta do seu exaustor, leia-o atentamente antes de usar o produto, mesmo que já esteja familiarizado com o mesmo. O manual deve ser mantido num local seguro para referência futura.

O que nunca deve fazer:

- Nunca tente usar o exaustor sem os filtros de gordura ou se os filtros estiverem demasiado engordurados!
- Não instale sobre um fogão com um grelhador muito elevado.
- Não deixe frigideiras em uso sem supervisão porque gorduras ou óleos sobreaquecidos podem incendiar-se.
- Nunca deixe chamas desprotegidas debaixo do exaustor.



- Se o exaustor estiver danificado, não tente utilizá-lo.
- Não faça pratos flambé debaixo do exaustor.
- **CUIDADO:** As peças acessíveis podem tornar-se quentes quando usadas com aparelhos para cozinhar.
- A distância mínima entre a superfície de suporte e os recipientes para cozinhar no fogão e na parte mais baixa do exaustor. (Quando o exaustor estiver localizado sobre um aparelho a gás, esta distância deve ser de pelo menos 65 cm.)
- O ar não deve ser descarregado num cano de chaminé usado para evacuar fumos de eletrodomésticos que utilizem gás ou outros combustíveis.



O que deve fazer sempre:

- **Importante!** Desligue sempre a fonte de alimentação na fonte durante instalação e manutenção como, por exemplo, quando troca uma lâmpada.
- O exaustor tem de ser instalado em conformidade com as instruções de instalação e deve cumprir todas as medições indicadas.
- Todo o trabalho de instalação tem de ser realizado por uma pessoa competente ou por um electricista qualificado.
- Elimine o material da embalagem cuidadosamente. As crianças são vulneráveis a este material.
- Preste atenção às extremidades aguçadas no interior do exaustor durante a instalação e limpeza.
- Quando o exaustor estiver colocado por cima de um aparelho a gás, a distância mínima entre a superfície de apoio para os recipientes para cozinhar no fogão e a parte mais baixa do exaustor tem de ser:
Fogões a gás: 75 cm
Fogões elétricos: 65 cm
Fogões a óleo ou carvão: 75 cm
- Certifique-se de que a canalização não tem dobras com um ângulo mais apertado que 90 graus uma vez que isto reduz a eficiência do exaustor.
- **Aviso:** Se os parafusos ou o dispositivo de fixação não forem montados de acordo com estas instruções, podem ocorrer riscos elétricos.

O que deve fazer sempre:

- Coloque sempre tampas nos tachos e panelas quando estiver a cozinhar num fogão a gás.
- Quando no modo de extração, o ar na divisão está a ser removido pelo exaustor. Certifique-se de que estão a ser cumpridas as medidas de ventilação apropriadas. O exaustor remove odores da divisão mas não o vapor.
- O exaustor destina-se apenas a uso doméstico.



- Se o cabo de alimentação estiver danificado, este tem de ser substituído pelo fabricante, pelo agente de serviço ou por pessoas igualmente qualificadas de forma a evitar o perigo.
- Este aparelho pode ser utilizado por crianças de idade igual ou superior a 8 anos e por pessoas com capacidades físicas, sensoriais ou mentais reduzidas ou falta de experiência e conhecimento, caso lhes tenha sido fornecida supervisão ou instruções relativas à utilização do aparelho de forma segura e desde que compreendam os perigos envolvidos. As crianças não devem brincar com o aparelho. A limpeza e manutenção pelo utilizador não deve ser realizada por crianças sem supervisão.



- **Aviso:** Antes de obter acesso a terminais, todos os circuitos de alimentação elétrica têm de estar desligados.

O que deve fazer sempre:

- **Cuidado:** O aparelho e as suas peças acessíveis podem ficar quentes durante o funcionamento. Tenha o cuidado de evitar tocar nos elementos de aquecimento. Crianças com menos de 8 anos devem manter-se afastadas a menos que estejam sob constante supervisão.
- Deverá existir uma ventilação adequada da divisão quando o exaustor estiver a ser usado ao mesmo tempo que aparelhos que funcionam a gás ou outros combustíveis.
- Existe o risco de incêndio se a limpeza não for realizada de acordo com as instruções.
- Os regulamentos referentes à descarga de ar têm de ser acatados.
- Limpe o seu aparelho periodicamente seguindo o método fornecido no capítulo **MANUTENÇÃO**.
- Por motivos de segurança, use apenas o mesmo tamanho de parafuso de montagem ou fixação recomendado neste manual de instruções.
- Em relação a dados sobre o método e sobre a frequência de limpeza, consulte a secção de manutenção e limpeza no manual de instruções.
- A limpeza e a manutenção pelo utilizador não devem ser realizadas por crianças sem supervisão.
- Quando o exaustor e aparelhos com fornecimento de energia que não eletricidade estiverem simultaneamente em funcionamento, a pressão negativa na divisão não deve exceder 4 Pa (4 x 10⁻⁵ bar).
- **AVISO:** Perigo de incêndio: não guarde artigos em cima das superfícies para cozinhar.
- Não deve nunca utilizar um aparelho de limpeza a vapor.
- **NUNCA** tente extinguir um incêndio com água, em vez disso desligue o aparelho e, em seguida, cubra a chama com, por exemplo, uma tampa ou um cobertor antifogo.

INSTALAÇÃO (VENTILAÇÃO EXTERIOR)

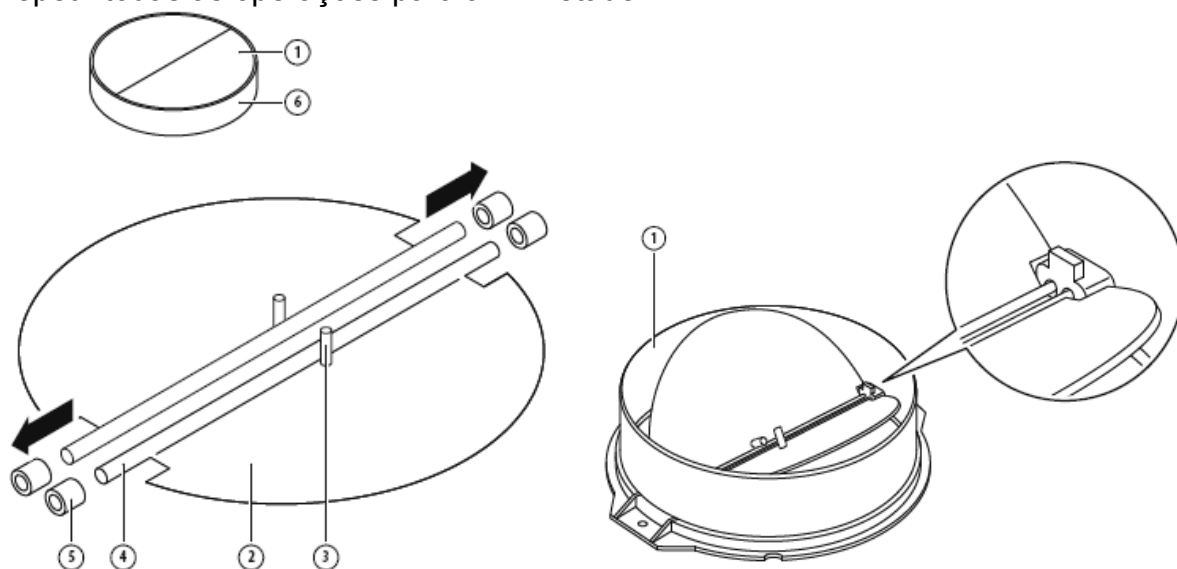
MONTAGEM DA UNIDADE DE ALETAS

**Acessório opcional fornecido apenas com alguns modelos.*

Se o exaustor não tiver uma unidade de aletas 1 montada, deve montar as metades na sua estrutura. As imagens apenas mostram um exemplo de como montar a unidade de aletas, a saída pode ser diferente de acordo com os diferentes modelos e configuração.

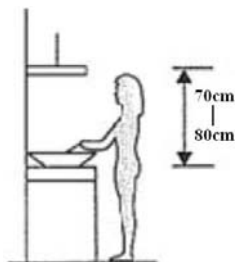
Para montar a unidade de aletas 1 deverá:

- montar duas metades 2 na armação 6;
- um pino 3 deve estar orientado para o topo;
- o eixo 4 deve ser inserido nos orifícios 5 na armação;
- repetir todas as operações para a 2ª metade.

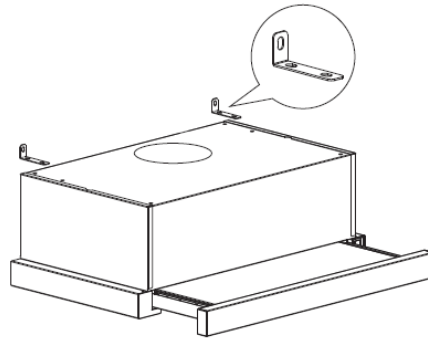


INSTALAÇÃO (montagem na parede)

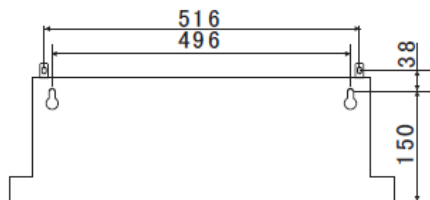
1. Decida a localização dos furos para fixar o exaustor.



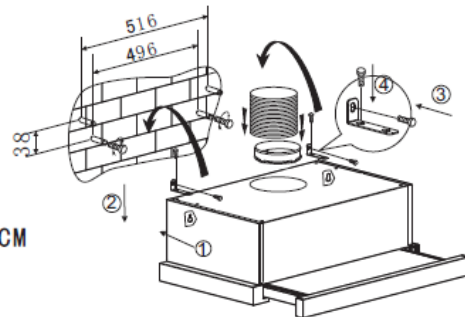
2. Instale o suporte em forma de L sobre o topo do exaustor utilizando dois parafusos (4 mm x 10 mm).



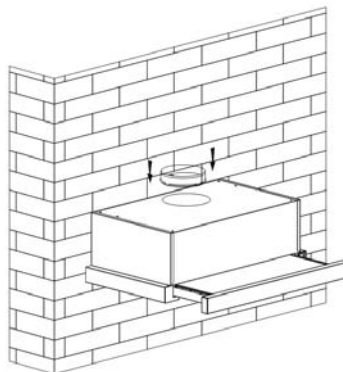
3. O exaustor é montado na parede utilizando 4 parafusos (4 mm x 30 mm) e respectivas buchas.
 Monte o exaustor na parede na parte traseira do exaustor utilizando 2 parafusos (4 mm x 30 mm) e respectivas buchas. Em seguida, fixe o exaustor na parede utilizando 2 parafusos (4 mm x 30 mm) e respectivas buchas através do suporte em forma de L.



6002C (60) CM

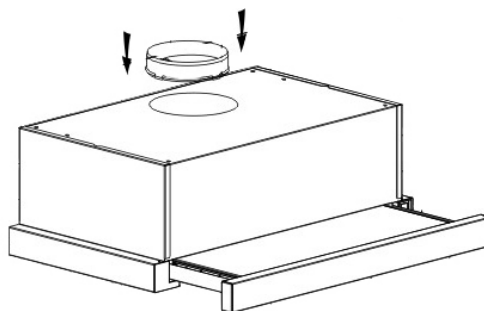


4. Fixe a válvula unidirecional à saída de ar do exaustor.

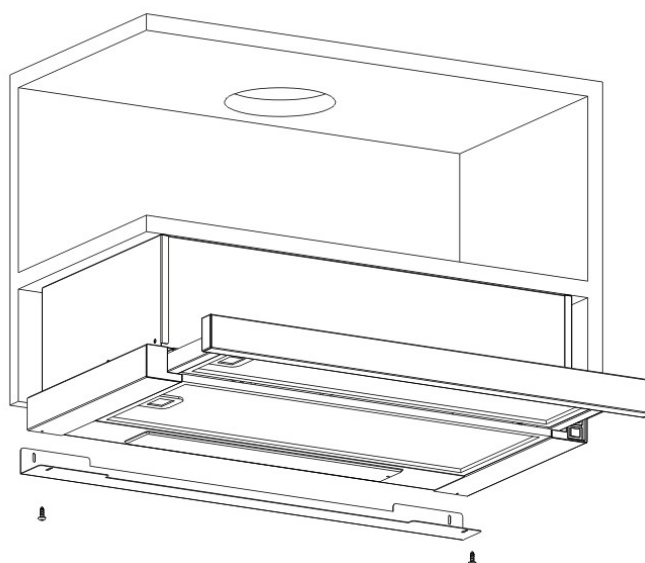
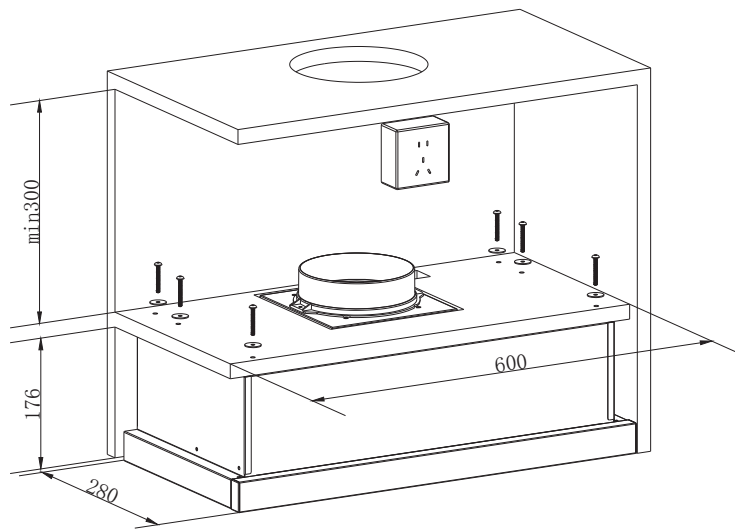
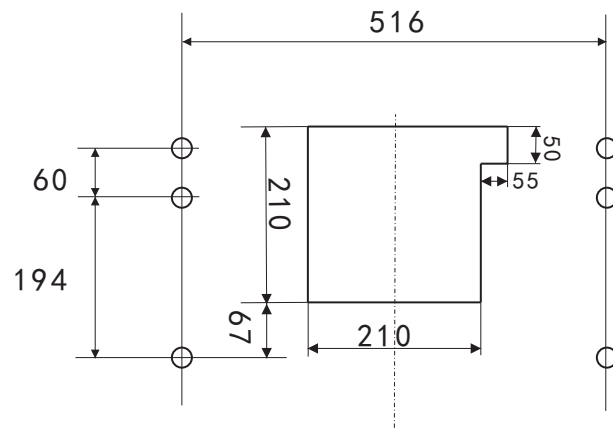


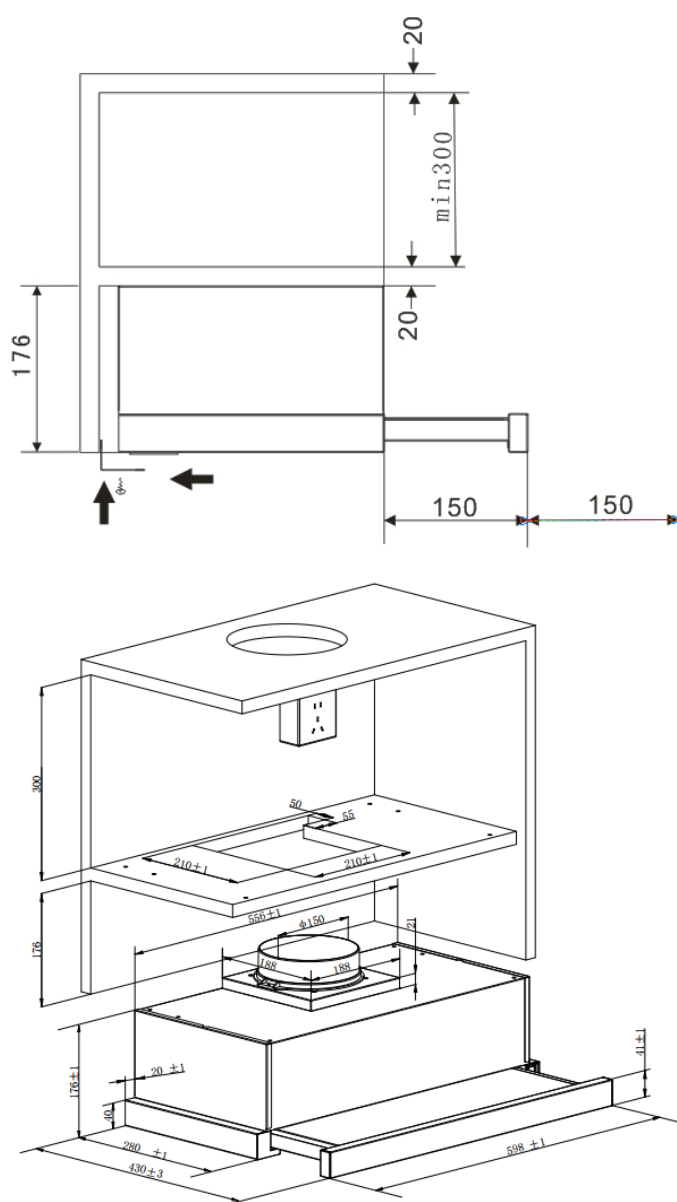
INSTALAÇÃO (montagem em armário)

1. Fixe a válvula unidirecional à saída de ar do exaustor.



2. Monte o exaustor no armário utilizando 6 parafusos (4 x 35 mm) e anilhas planas.






Se existir um intervalo entre a parede e o exaustor, pode instalar o suporte em forma de L na parte inferior do exaustor utilizando dois parafusos (3 x 12 mm).

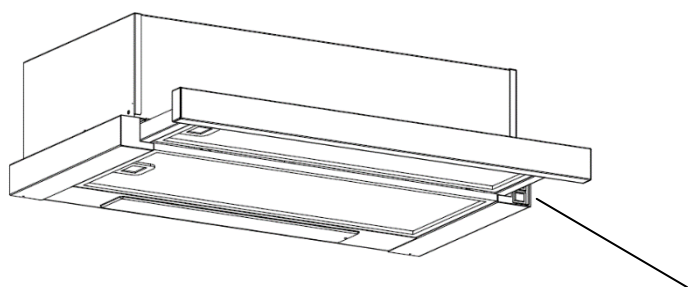
A instalação do suporte em forma de L é opcional.

Nota: O tubo de expansão não está incluído no produto.

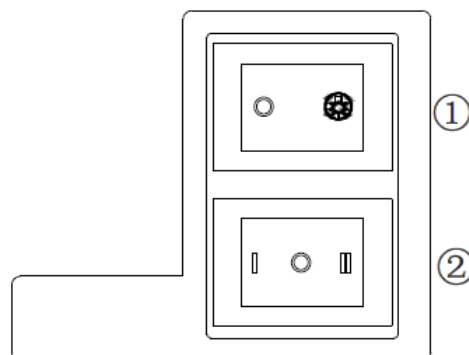
<p>AVISO:</p> 	<ul style="list-style-type: none"> ➤ Por motivos de segurança, use apenas o mesmo tamanho de parafuso de montagem ou fixação recomendado neste manual de instruções. ➤ Se os parafusos ou o dispositivo de fixação não forem montados de acordo com estas instruções, podem ocorrer riscos elétricos.
---	---

Começar a utilizar o exaustor

Interruptor basculante



Interruptor basculante



1. Introduza a ficha de alimentação na tomada.
2. Pressione o interruptor ① para , a lâmpada irá então acender-se; pressione o interruptor ① para "0" , e a lâmpada irá apagar-se.
3. Pressione o interruptor ② para "I, II" , o motor será colocado nas duas velocidades "low、high" , pressione o interruptor para "0" , o motor irá desligar-se.
4. A alimentação será ligada quando remover o painel frontal. No sentido inverso, a alimentação será desligada automaticamente.

RESOLUÇÃO DE PROBLEMAS

Problema	Causa possível	Solução
Luz acesa, mas o motor não funciona	Interruptor de ventoinha desligado	Selecione uma posição do interruptor da ventoinha
	Falha do interruptor da ventoinha	Contacte o centro de serviço.
	Falha do motor	Contacte o centro de serviço.
A luz não acende, o motor não funciona	Fusíveis domésticos fundidos	Volte a ligar/substitua os fusíveis.
	Cabo de alimentação solto ou desligado	Volte a ligar o cabo à tomada. Ligue a alimentação.
Fuga de óleo	A válvula unidirecional e a saída não estão bem vedadas	Retire a válvula unidirecional e vede com vedante.

PROTECCIÓN DEL MEDIO AMBIENTE:



Este electrodoméstico está certificado conforme a la Directiva Europea 2012/19/UE sobre residuos de aparatos eléctricos y electrónicos (RAEE) y regulaciones de 2013. Los dispositivos RAEE contienen sustancias contaminantes (que pueden tener consecuencias negativas para el medio ambiente) y componentes básicos (que pueden reutilizarse). Es importante que dichos dispositivos estén sujetos a tratamientos específicos para eliminar y desechar correctamente todos los contaminantes y recuperar todos los materiales. Cada individuo puede desempeñar un papel importante a la hora de garantizar que los dispositivos RAEE no se conviertan en un problema medioambiental; para ello, es fundamental seguir algunas reglas básicas:

- los dispositivos RAEE no deben tratarse como residuos domésticos;
- los dispositivos RAEE deben llevarse a los puntos de recogida específicos gestionados por el ayuntamiento o por una empresa registrada.

En muchos países, puede haber disponible un servicio de recogida a domicilio de los RAEE de gran tamaño. Cuando se compra un nuevo aparato, el viejo puede entregarse al vendedor, que debe adquirirlo gratuitamente siempre que el aparato sea de tipo equivalente y tenga las mismas funciones que el que se ha adquirido.

NOTA:

A continuación se muestra cómo reducir el impacto ambiental total (por ejemplo, mediante el uso de energía) del proceso de cocción.

- (1) Instale la campana extractora en un lugar apropiado donde haya una ventilación eficiente.
- (2) Limpie la campana extractora regularmente para no bloquear las vías de salida del aire.
- (3) Recuerde apagar la luz de la campana extractora después de cocinar.
- (4) Recuerde apagar la campana extractora después de cocinar.

INFORMACIÓN PARA EL DESMONTAJE

No desmonte el aparato de manera diferente a la mostrada en el manual de instrucciones. El aparato no puede ser desmontado por el usuario. Al final de su vida útil, el electrodoméstico no se debe tirar con la basura doméstica. Consulte con su recolector de desechos o autoridad local para obtener consejos de reciclaje.

	Fuga na ligação da chaminé e cobertura.	Retire a chaminé e vede.
As luzes não funcionam	Globos quebrados/defeituosos	Substitua os globos de acordo com esta instrução.
Aspiração insuficiente	A distância entre o exaustor e a boca a gás é demasiado grande	Volte a posicionar o exaustor de acordo com uma distância correta.
O exaustor está inclinado	O parafuso de fixação não está suficientemente apertado	Aperte o parafuso de pendurar e certifique-se de que fica na horizontal.

NOTA:



Quaisquer reparações elétricas a este aparelho devem estar em conformidade com as suas leis locais, estatais e federais. Contacte o centro de assistência se tiver alguma dúvida antes de efetuar alguma das operações acima. Desligue sempre a unidade da rede quando abrir a unidade.

MANUTENÇÃO E LIMPEZA

Cuidado:

- Antes de realizar a manutenção ou limpeza, o exaustor deve ser desligado da fonte de alimentação. Certifique-se de que o exaustor está desligado da tomada de parede e que a ficha está retirada da tomada.
- As superfícies externas são suscetíveis a riscos e abrasões, por isso siga as instruções de limpeza para se certificar de que obtém o melhor resultado possível sem ocorrência de danos.



ASPETOS GERAIS

A limpeza e manutenção deverão ser efetuadas com o aparelho frio especialmente quando se limpa. Evite deixar substâncias alcalinas ou ácidas (sumo de limão, vinagre, etc.) nas superfícies.

AÇO INOXIDÁVEL

O aço inoxidável deve ser limpo regularmente (ou seja, semanalmente) para garantir uma longa esperança de vida. Seque com um pano macio e limpo. Pode utilizar um líquido de limpeza especializado para aço inoxidável.

NOTA:

Certifique-se de que a limpeza é realizada ao longo do grão do aço inoxidável para impedir a formação de padrões cruzados antiestéticos.

SUPERFÍCIE DO PAINEL DE CONTROLO

O painel de controlo incorporado pode ser limpo usando água com sabão. Certifique-se de que o pano está limpo e bem espremido antes de realizar a limpeza. Utilize um pano macio seco para remover humidade em excesso existente após a limpeza.

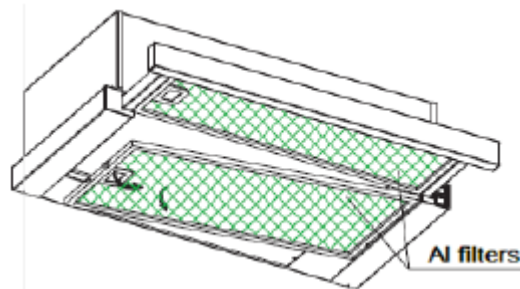
Importante

Use detergentes neutros e evite o uso de químicos de limpeza abrasivos, detergentes domésticos fortes ou produtos com abrasivos, uma vez que estes afetarão a aparência do aparelho e potencialmente removerão qualquer impressão de ilustrações do painel de controlo e invalidarão a garantia do fabricante.

FILTROS DE REDE DE GORDURA

Os filtros de rede podem ser limpos manualmente. Mergulhe-os durante cerca de três minutos em água com um detergente de libertação de gordura e, em seguida, escove-os suavemente com uma escova suave. Não aplique muita pressão, para evitar danificar os filtros. (Deixe secar naturalmente sem exposição direta à luz solar.)

Os filtros devem ser limpos separadamente de utensílios de cozinha e louça. É aconselhável que não use abrillantador.



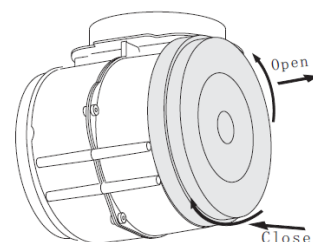
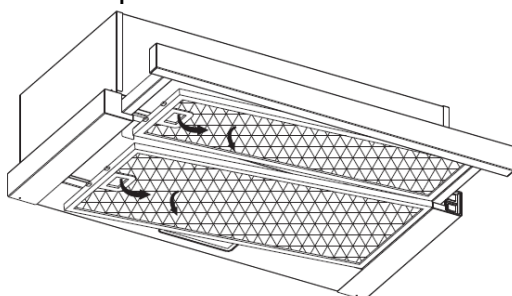
INSTALAR OS FILTROS DE REDE DE GORDURA

- Siga os quatro passos a seguir para instalar os filtros.
- Oriente o filtro de acordo com as ranhuras na parte traseira do exaustor.
- Pressione o botão na pega do filtro.
- Liberte a pega assim que o filtro encaixar numa posição de repouso.
- Repita a ação para instalar todos os filtros.

FILTRO DE CARBONO - não fornecido

É possível usar um filtro de carvão ativado para captar odores. Normalmente o filtro de carvão ativado deve ser substituído a cada três ou seis meses consoante os seus hábitos de cozinhar. O procedimento de instalação do filtro de carvão ativado é indicado a seguir.


- (1) Deslize a parte dianteira do exaustor.
- (2) O filtro de alumínio deve ser desprendido primeiro. Pressione o fecho e puxe-o para baixo.
- (3) Retire o filtro de carbono rodando o filtro de carbono no sentido contrário aos ponteiros do relógio.
- (4) Substitua pelo novo filtro de carbono.



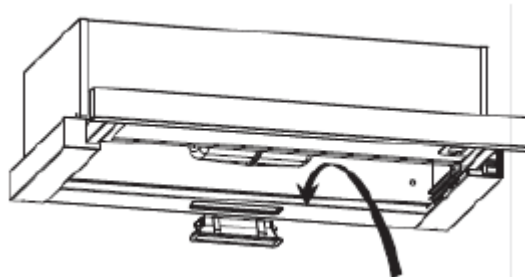
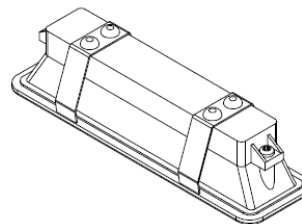
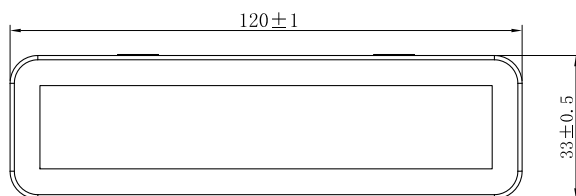
NOTA:

- Certifique-se de que o filtro está bem preso. Caso contrário, este pode soltar-se e pode constituir um perigo.
- Com um filtro de carvão ativado instalado, o poder de aspiração será reduzido.

SUBSTITUIÇÃO DA LÂMPADA

<p>Importante:</p> 	<ul style="list-style-type: none">✧ A lâmpada tem de ser substituída pelo fabricante, pelo seu agente de serviço ou por pessoas igualmente qualificadas.✧ Desligue sempre a fonte de alimentação antes de realizar quaisquer operações no aparelho. Ao manusear a lâmpada, certifique-se de que esta está completamente fria antes de qualquer contacto com as mãos.✧ Ao manusear os globos segure-os com um pano ou com luvas para se certificar que a transpiração não entra em contacto com os mesmos uma vez que isso pode reduzir a vida útil do globo.
--	--

- (1) Desligue o aparelho e desconecte-o da tomada.
- (2) Deslize a parte dianteira do exaustor.
- (3) O filtro de alumínio deve ser desprendido primeiro. Pressione o fecho e puxe-o para baixo.
- (4) Substitua por uma luz do mesmo tipo. LED de 110-240 V~50 Hz, MÁX. 2 W.
 - O código ILCOS D para esta lâmpada é: DBS-2/65-H-120/33.
 - Tensão máx.: 2 W
 - Gama de tensão: CA 110-240 V
 - Dimensões:



PROTEÇÃO DO AMBIENTE:



Este aparelho está rotulado em conformidade com a Diretiva Europeia 2012/19/UE relativa aos resíduos de equipamentos elétricos e eletrónicos (REEE) 2013 em relação aos aparelhos elétricos e eletrónicos. Os REEE contêm substâncias poluentes (que podem ter um efeito negativo no meio ambiente) e elementos base (que podem ser reutilizados). É importante que os REEE sejam submetidos a tratamentos específicos para remover e eliminar os poluentes e recuperar todos os materiais. As pessoas podem desempenhar um papel importante para garantir que os REEE não representem um problema ambiental; é essencial que sejam cumpridas algumas normas básicas:

- Os REEE não devem ser tratados como lixo doméstico;
- Os REEE devem ser levados para áreas de recolha dedicadas administradas pelo município ou por uma empresa registada.

Em muitos países, as recolhas domésticas podem estar disponíveis para grandes REEEs.

Quando compra um aparelho novo, o antigo pode ser devolvido ao revendedor, que deve aceitar tratar da recolha gratuitamente, desde que o aparelho seja de um tipo equivalente e tenha as mesmas funções do aparelho fornecido.

NOTA:

A seguir indicamos como reduzir o impacto ambiental total (por ex. uso energético) do processo de cozinhar.

- (1) Instale o exaustor num local adequado onde exista uma ventilação eficiente.
- (2) Limpe o exaustor regularmente de modo a não bloquear as vias aéreas.
- (3) Lembre-se de desligar a luz do exaustor depois de cozinhar.
- (4) Lembre-se de desligar o exaustor depois de cozinhar.

INFORMAÇÃO SOBRE DESMANTELAMENTO

Não desmonte o aparelho de um modo não indicado no manual de instruções. O aparelho não pode ser desmontado pelo utilizador. No final da sua vida útil, o aparelho não deve ser eliminado juntamente com os resíduos domésticos. Consulte a sua autoridade local ou retentor em relação a conselhos de reciclagem.